



OWNER'S MANUAL

STT Top Running Motorized End Truck

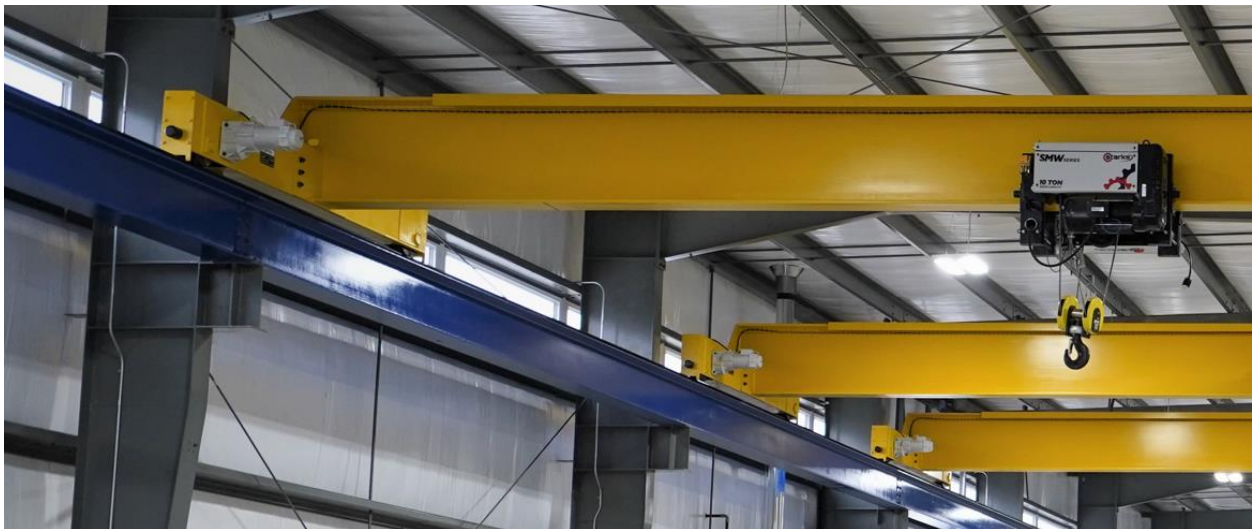


Table of Contents

1.0 Product Introduction	3
2.0 Drawings & Parts Lists	4
2.1 STT-130-100 Drawing	4
2.2 STT-130-100 Parts List.....	5
2.3 STT-170-150 Drawing	6
2.4 STT-170-150 Parts List.....	7
2.5 STT-250-150 Drawing	8
2.6 STT-250-150 Parts List.....	9
2.7 STT-300-200 Drawing	10
2.8 STT-300-200 Parts List.....	11
2.9 STT-500-200 Drawing	12
2.10 STT-500-200 Parts List	13
3.0 STT Wiring Diagram.....	14
Starke Products Warranty	15

1.0 Product Introduction

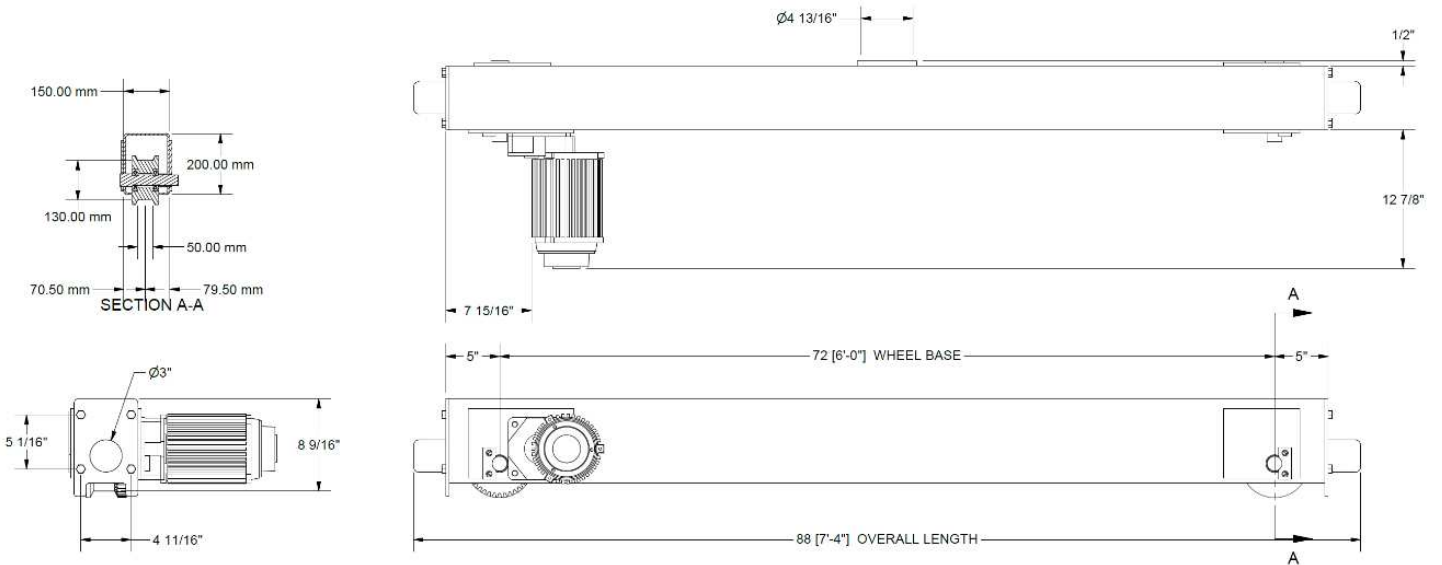
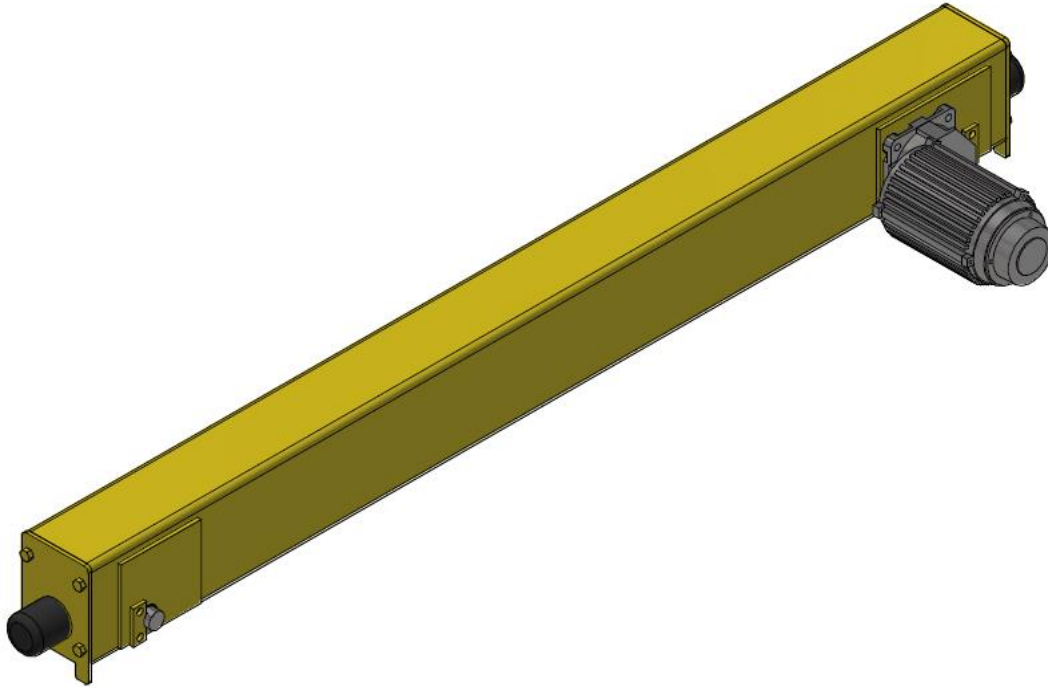
Thank you for purchasing a Starke STT Top Running Motorized End Truck Kit. These HD bridge crane end trucks require very little maintenance and can accommodate most lengths of bridge cranes. Please make sure that the power supply you intend to hook up to the End Truck Motors matches the voltage the motors require.



1.1 STT End Trucks on a Bridge Crane

2.0 Drawings & Parts Lists

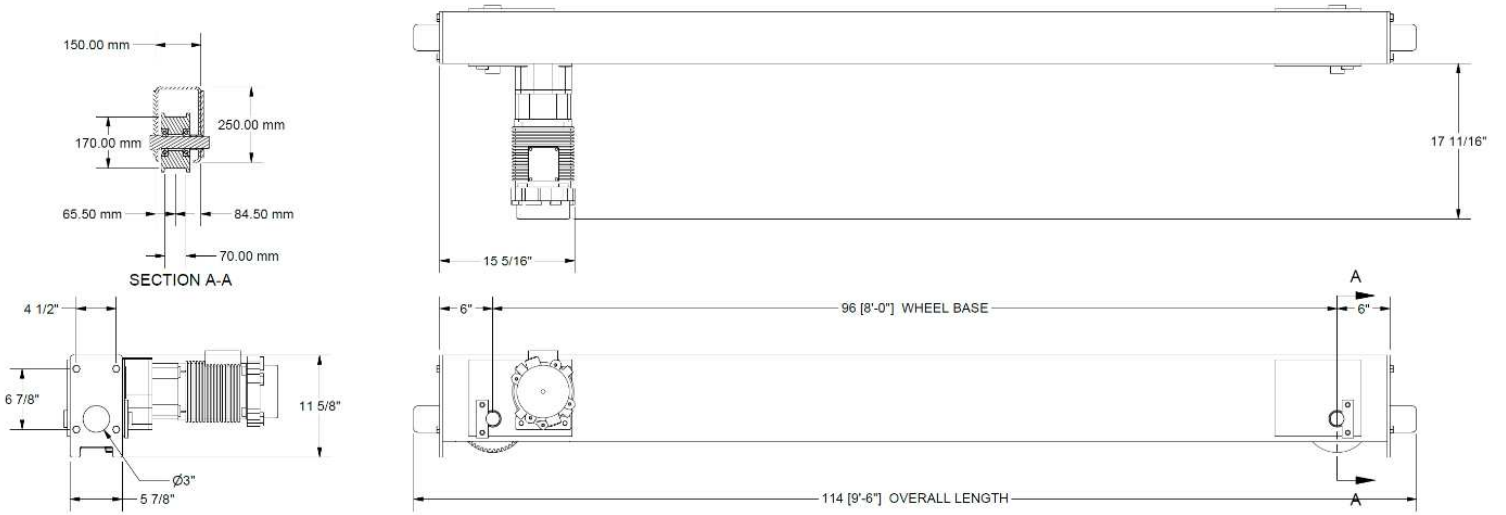
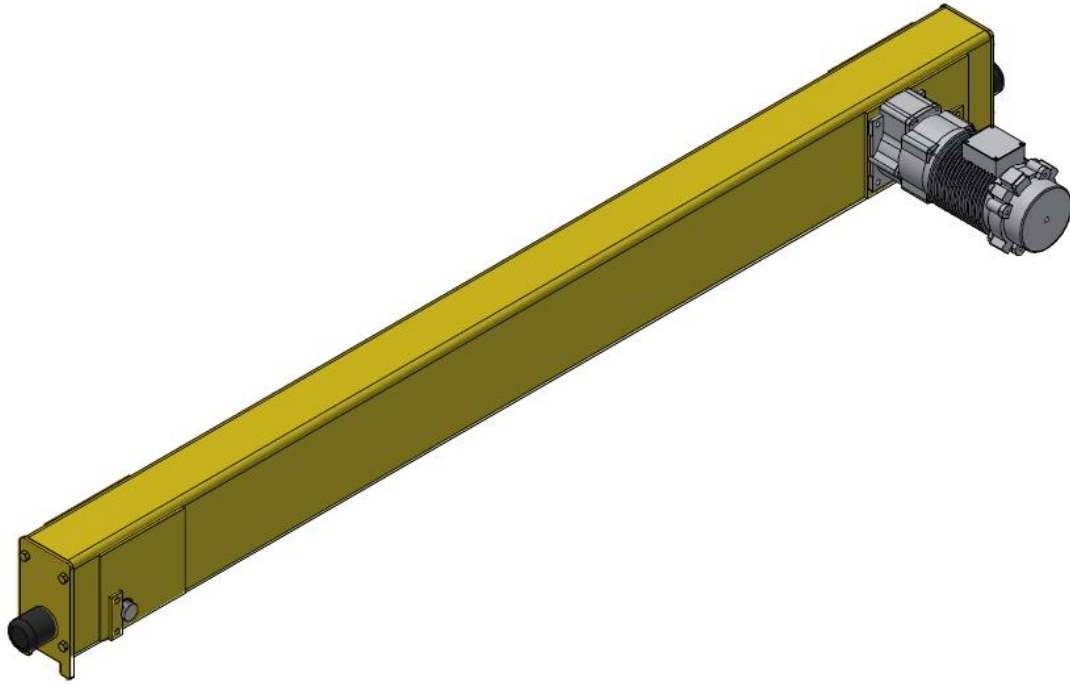
2.1 STT-130-100 Drawing



2.2 STT-130-100 Parts List

Part Description	Standard Top Running	Poly Flat Wheel
Gear Wheel with Bearing	600-46000	600-46000P
Plain Wheel with Bearing	600-46001	600-46001P
End Plate	N/A	N/A
End Plate Hardware (1/2" x 13 Hex Bolt Gr 5) 1-1/2" Long	N/A	N/A
Rubber Bumper, 3"x3"	600-50037	600-50037
End Truck Motor	600-46003 (SGM100) M4*12T 1HP	600-46003 (SGM100) M4*12T 1HP
Sprur Gear	600-46084	600-46084P
Shaft	600-46002	600-46002
Gear Wheel Spacer	600-46025	600-46025
Plain Wheel Spacer	600-46026	600-46026
Keeper Plate (Shaft)	N/A	N/A

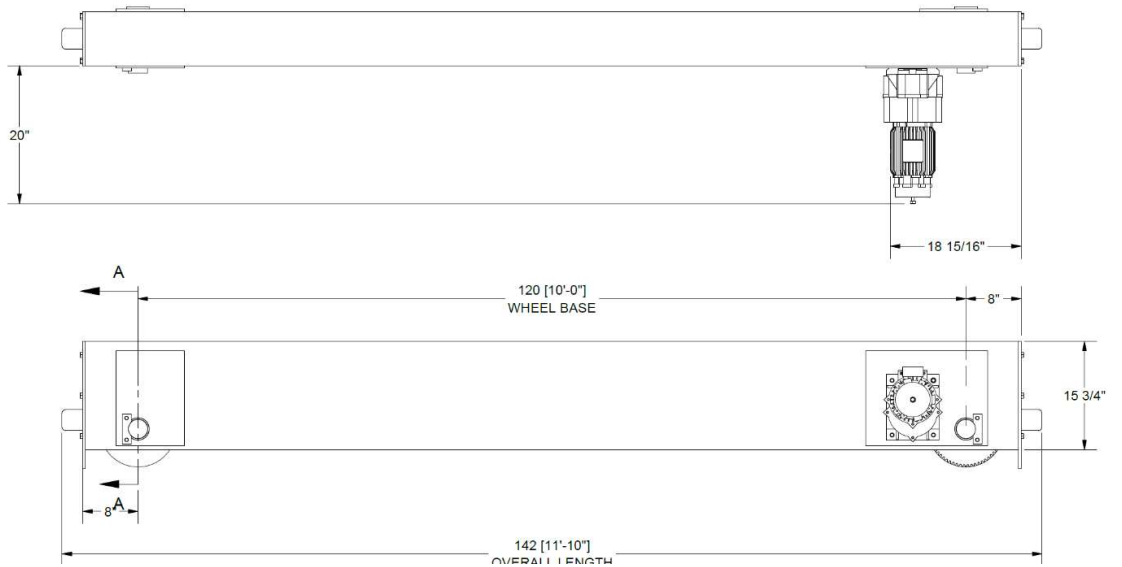
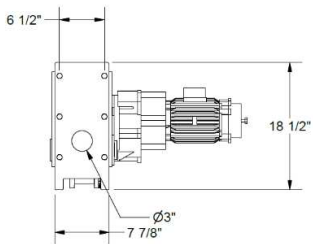
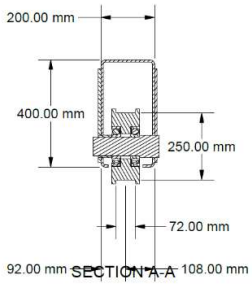
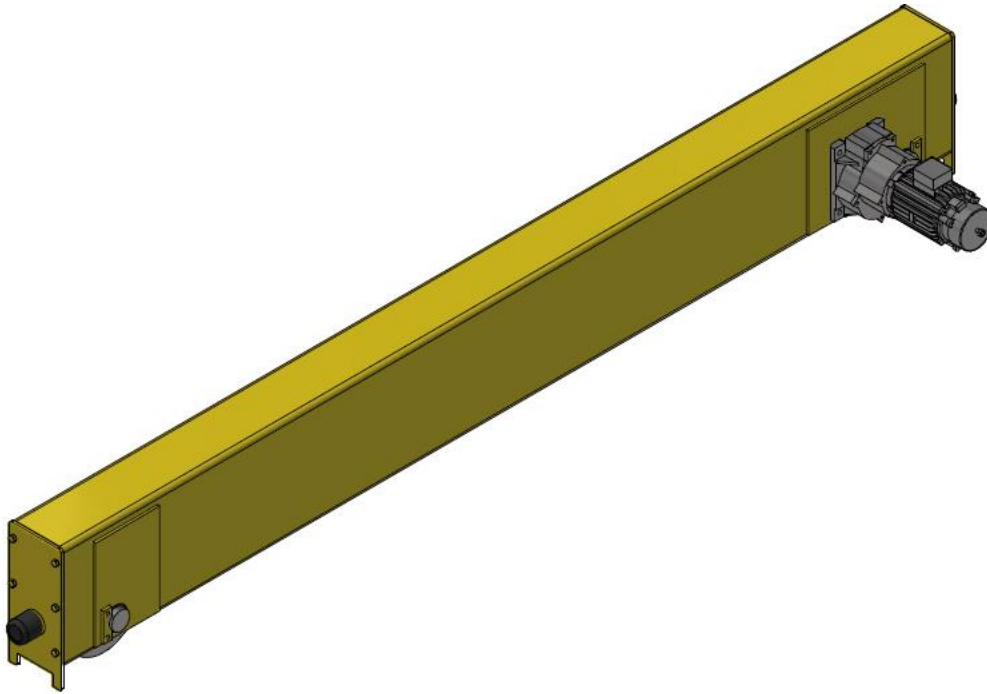
2.3 STT-170-150 Drawing



2.4 STT-170-150 Parts List

Part Description	Standard Top Running	Poly Flat Wheel
Gear Wheel with Bearing	600-46004	600-46004P
Plain Wheel with Bearing	600-46005	600-46005P
End Plate	N/A	N/A
End Plate Hardware (1/2" x 13 Hex Bolt Gr 5) 1-1/2" Long	N/A	N/A
Rubber Bumper, 3"x3"	600-50037	600-50037
End Truck Motor	600-46007 (SGM150) M4*30T 1.5HP	600-46007 (SGM150) M4*30T 1.5HP
Spur Gear	600-46085	600-46085P
Shaft	600-46006	600-46006
Gear Wheel Spacer	600-46027	600-46027
Plain Wheel Spacer	600-46028	600-46028
Keeper Plate (Shaft)	N/A	N/A

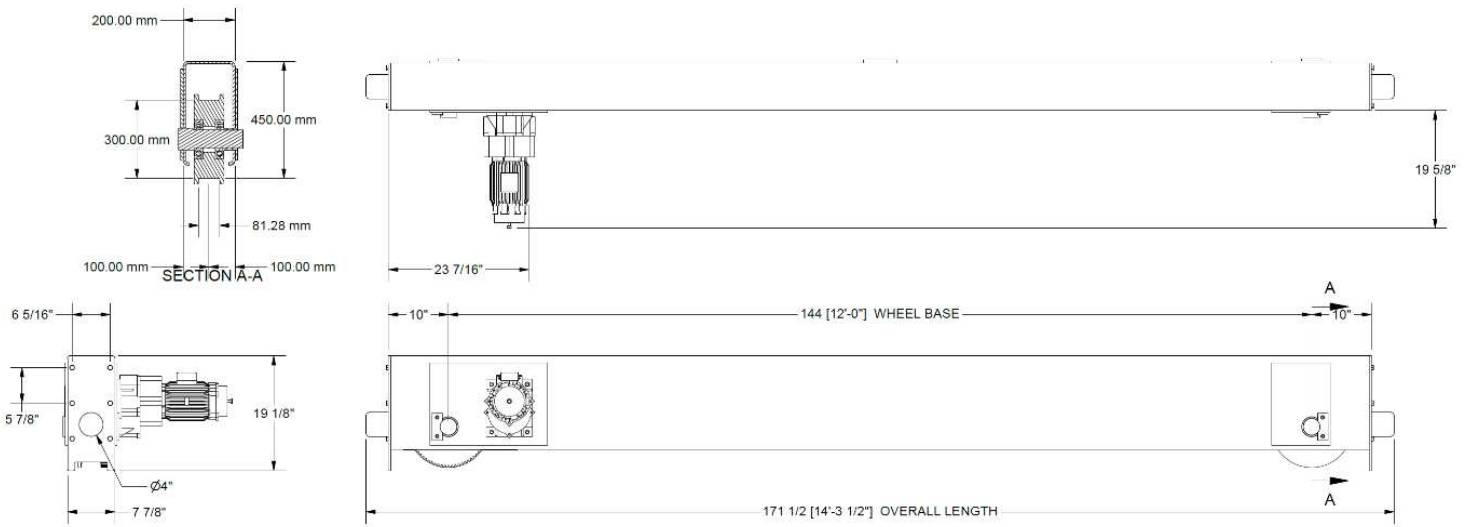
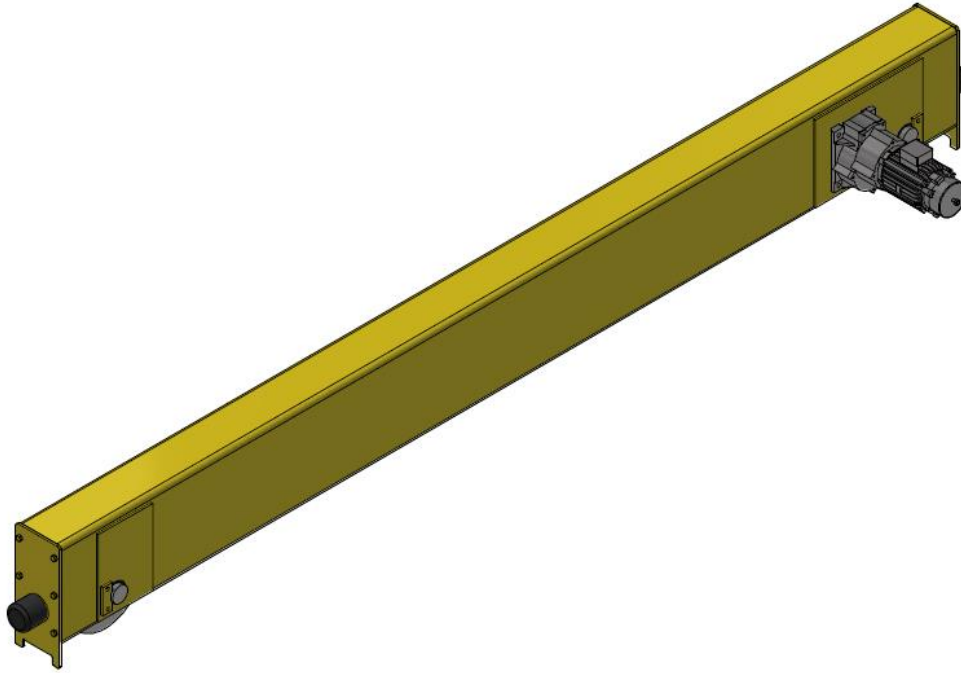
2.5 STT-250-150 Drawing



2.6 STT-250-150 Parts List

Part Description	Standard Top Running	Poly Flat Wheel
Gear Wheel with Bearing	600-46008	600-46008P
Plain Wheel with Bearing	600-46009	600-46009P
End Plate	N/A	N/A
End Plate Hardware (1/2" x 13 Hex Bolt Gr 5) 1-1/2" Long	N/A	N/A
Rubber Bumper, 3"x3"	600-50037	600-50037
End Truck Motor	600-46011 (SGM200) M4*35T 2HP	600-46011 (SGM200) M4*35T 2HP
Spur Gear	600-46086	600-46086P
Shaft	600-46010	600-46010
Gear Wheel Spacer	600-46029	600-46029
Plain Wheel Spacer	600-46030	600-46030
Keeper Plate (Shaft)	N/A	N/A

2.7 STT-300-200 Drawing



2.8 STT-300-200 Parts List

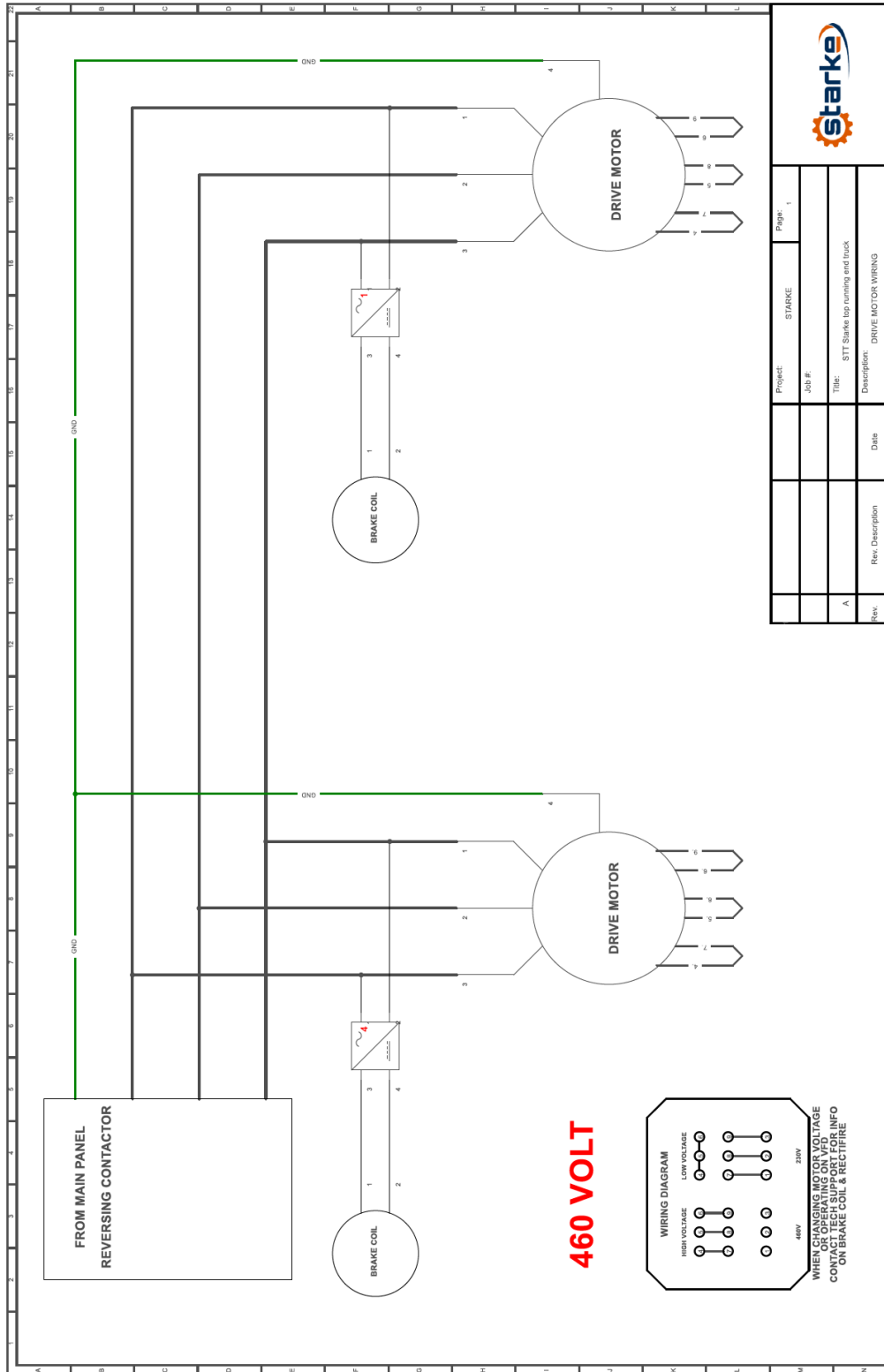
Part Description	Standard Top Running	Poly Flat Wheel
Gear Wheel with Bearing	600-46012	600-46012P
Plain Wheel with Bearing	600-46013	600-46013P
End Plate	N/A	N/A
End Plate Hardware (1/2" x 13 Hex Bolt Gr 5) 1-1/2" Long	N/A	N/A
Rubber Bumper, 3"x3"	600-50037	600-50037
End Truck Motor	600-46015 (SGM500) M6*32T 5HP	600-46015 (SGM500) M6*32T 5HP
Spur Gear	600-46087	600-46087P
Shaft	600-46014	600-46014
Gear Wheel Spacer	600-46031	600-46031
Plain Wheel Spacer	600-46032	600-46032
Keeper Plate (Shaft)	N/A	N/A

2.9 STT-500-200 Drawing

2.10 STT-500-200 Parts List

Part Description	Standard Top Running
Gear Wheel with Bearing	600-46xxx
Plain Wheel with Bearing	600-46xxx
End Plate	N/A
End Plate Hardware (1/2" x 13 Hex Bolt Gr 5) 1-1/2" Long	N/A
Rubber Bumper, 3"x3"	600-50xxx
End Truck Motor	SGM500
Spur Gear	
Shaft	600-46xxx
Gear Wheel Spacer	600-46xxx
Plain Wheel Spacer	600-46xxx
Keeper Plate (Shaft)	N/A

3.0 STT Wiring Diagram





Starke Products Warranty

1 Year (12 Month) Parts & Labor Warranty

Unless otherwise specified, Starke guarantees that our products are free from material defects in design and workmanship under normal use, proper maintenance, and service.

This warranty is strictly limited to 12 months for single shift operation or 2,000 hours after installation, or 14 months after shipment, whichever is shorter. Within ten days after defect is found, warrantee must deliver a written notice to Starke providing defect information. All requested warranty information must be received promptly by Starke in no more than 5 business days.

Customer is responsible for all shipping charges on returned/warrantable items. Starke will cover the repair (parts and labor) at no charge or provide a replacement item at Starke's discretion.

This warranty does not cover defects or damage caused by acts of God, unusual wear and tear, improper use, or improper maintenance by the user. No responsibility for consequential damage is expressed or implied, and the responsibility under this warranty/guaranty is limited to the repair or replacement of the defective materials. Repair or replacement of the item is fully at the discretion of Starke.

ALL OTHER REPRESENTATIONS, EXPRESS OR IMPLIED, WARRANTY, OR LIABILITY RELATING TO THE CONDITION OR USE OF THE PRODUCT ARE SPECIFICALLY DISAVOWED, AND IN NO EVENT SHALL STARKE BE LIABLE TO BUYER, OR ANY THIRD PARTY, FOR ANY DIRECT OR INDIRECT CONSEQUENTIAL OR INCIDENTAL DAMAGES

STARKE

Starkeamerica.com/contact-us/



Contact Your Starke Representative for More Information on Products to Help Maximize Your Workplace Efficiency



Hoists & Trolleys



Crane Components



Electrification



Crane Kits



Slings



Safety

