



OWNER'S MANUAL

STT Top Running Motorized End Truck



Table of Contents

1.0 Product Introduction..... 3

2.0 Drawings & Parts Lists..... 4

 2.1 STT-130-100 Drawing..... 4

 2.2 STT-130-100 Parts List..... 5

 2.3 STT-170-150 Drawing..... 6

 2.4 STT-170-150 Parts List..... 7

 2.5 STT-250-150 Drawing..... 8

 2.6 STT-250-150 Parts List..... 9

 2.7 STT-300-200 Drawing..... 10

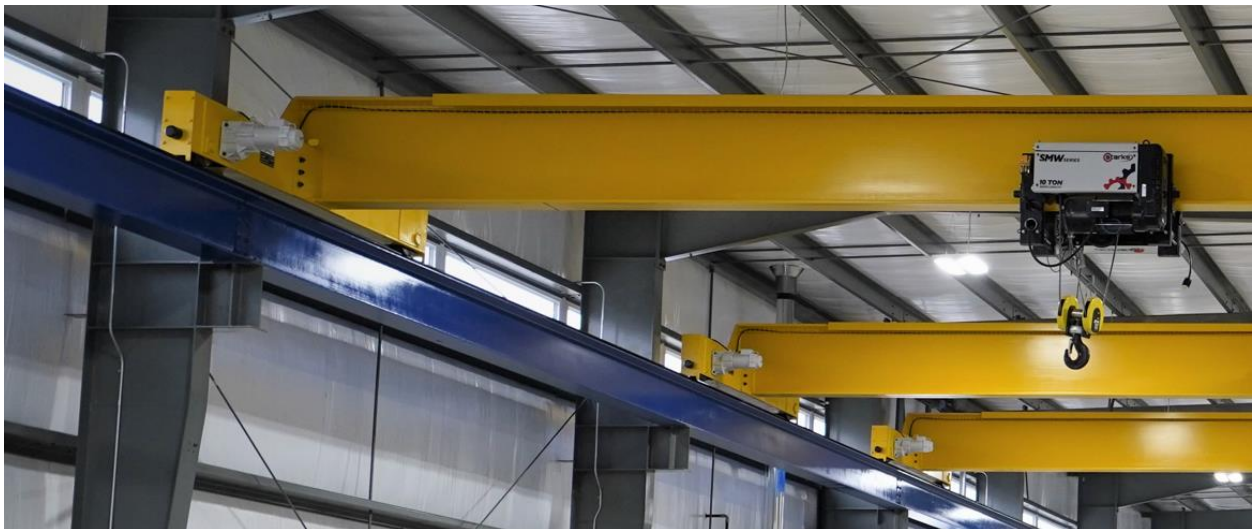
 2.8 STT-300-200 Parts List..... 11

3.0 STT Wiring Diagram 12

Starke Products Warranty..... 13

1.0 Product Introduction

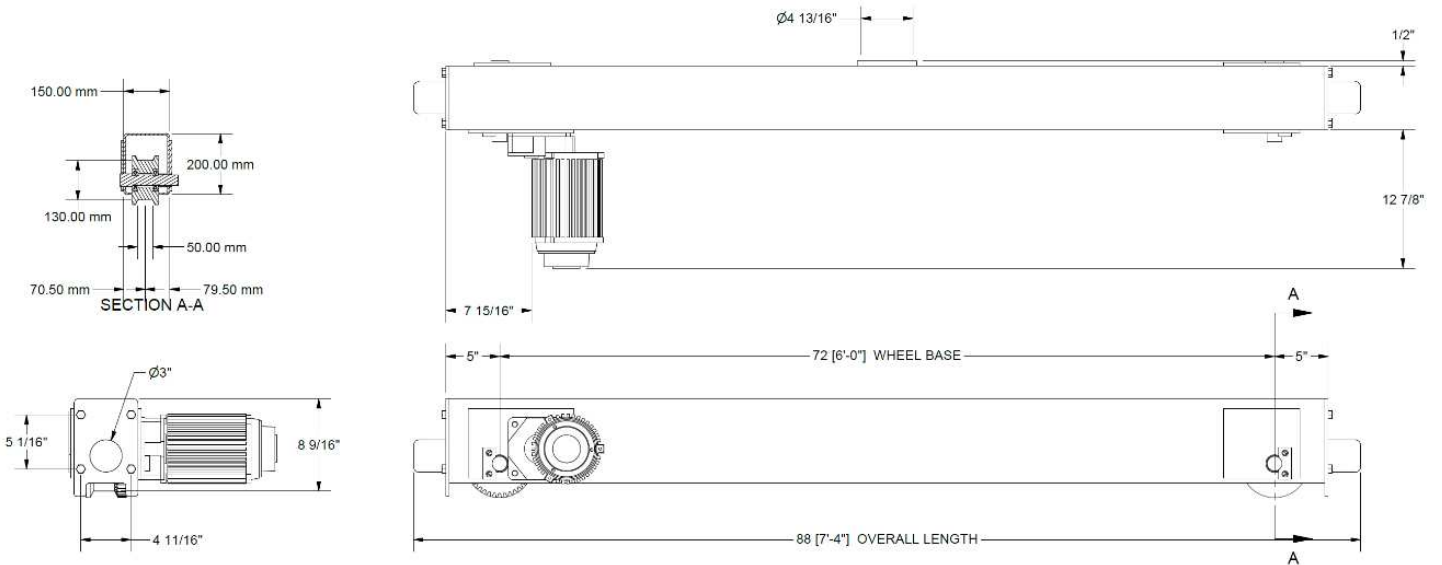
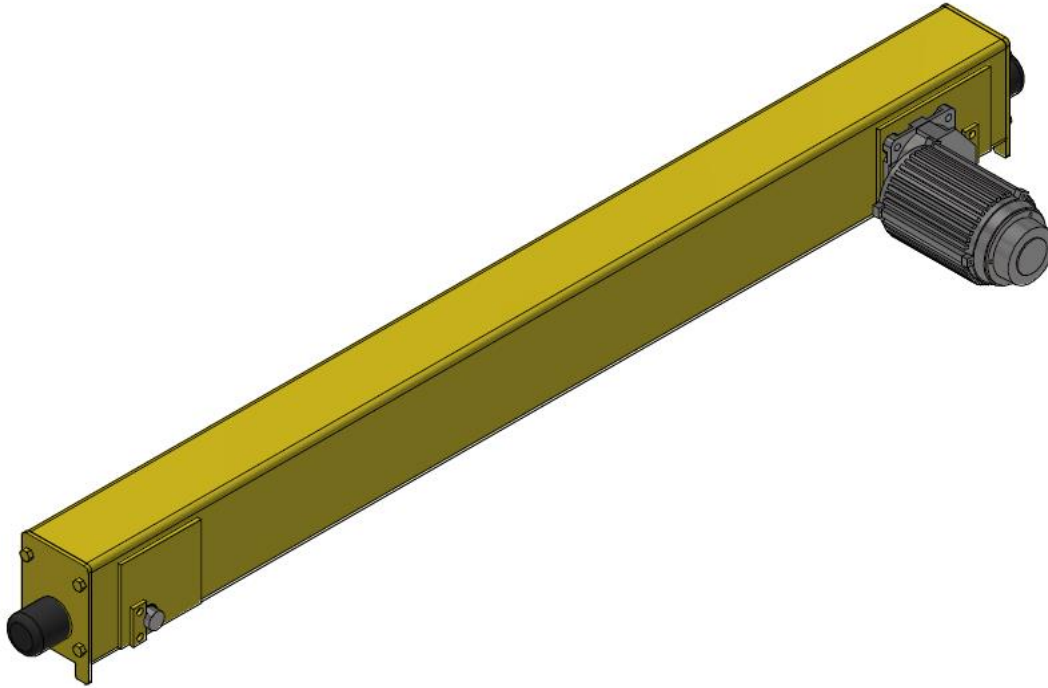
Thank you for purchasing a Starke STT Top Running Motorized End Truck Kit. These HD bridge crane end trucks require very little maintenance and can accommodate most lengths of bridge cranes. Please make sure that the power supply you intend to hook up to the End Truck Motors matches the voltage the motors require.



1.1 STT End Trucks on a Bridge Crane

2.0 Drawings & Parts Lists

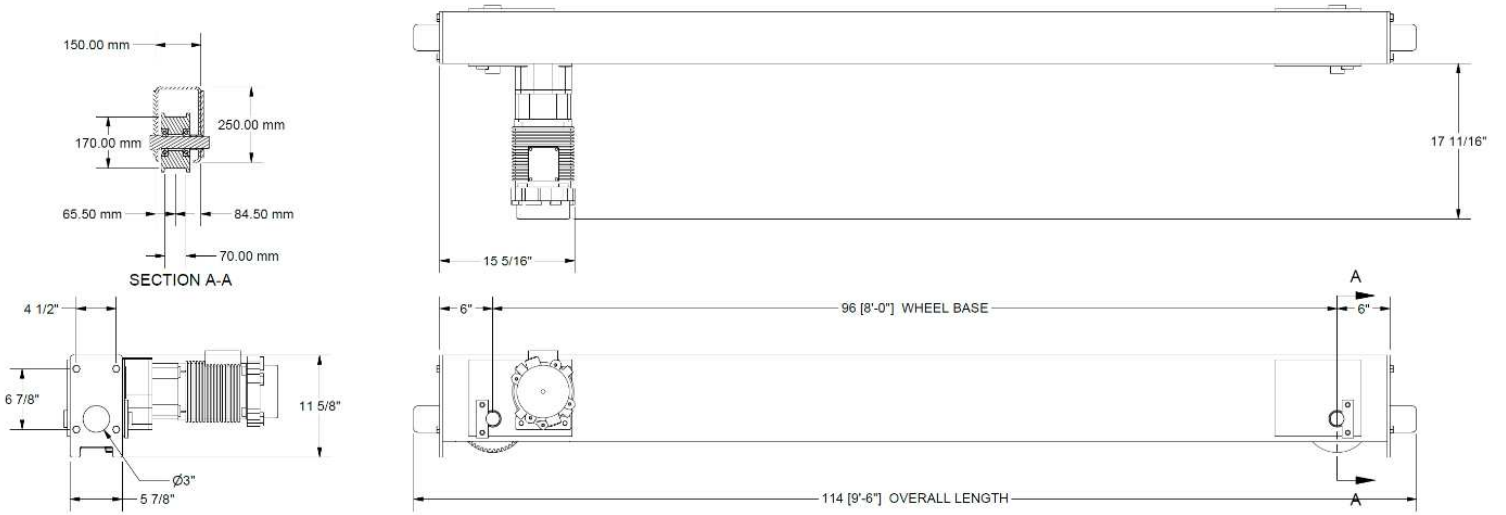
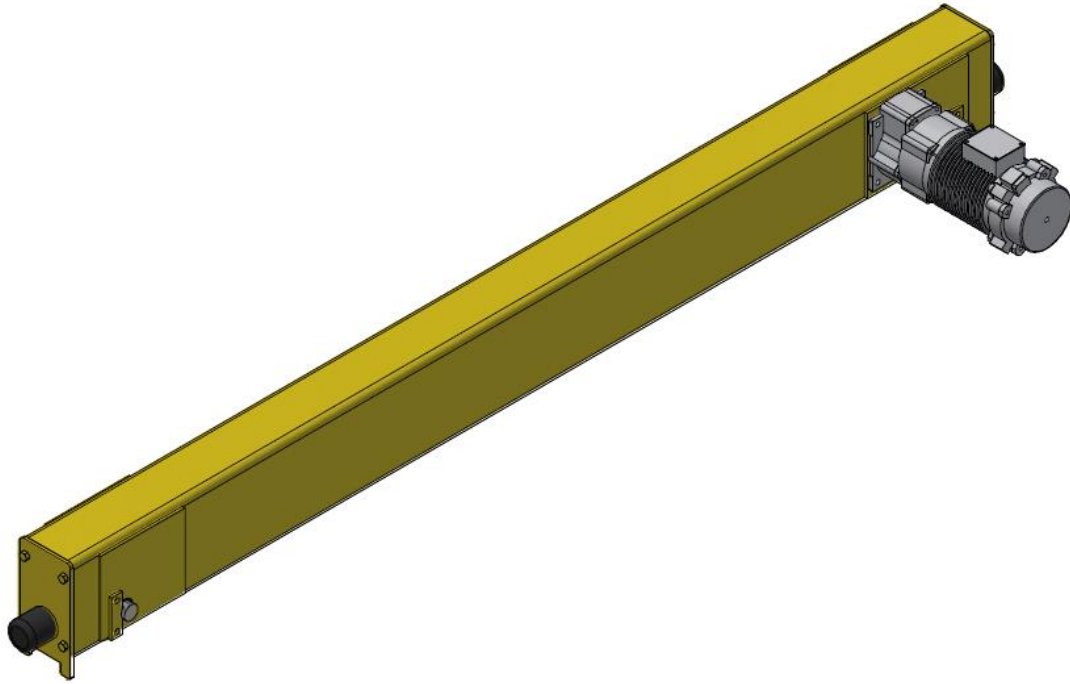
2.1 STT-130-100 Drawing



2.2 STT-130-100 Parts List

Part Description	Part Number
Gear Wheel with Bearing	600-46000
Plain Wheel with Bearing	600-46001
End Plate	N/A
End Plate Hardware (1/2" x 13 Hex Bolt Gr 5) 1-1/2" Long	N/A
Rubber Bumper, 3"x3"	600-50037
End Truck Motor	SGM100
Keeper Plate (Shaft)	N/A
Shaft	600-46002
Gear Wheel Spacer	600-46025
Plain Wheel Spacer	600-46026

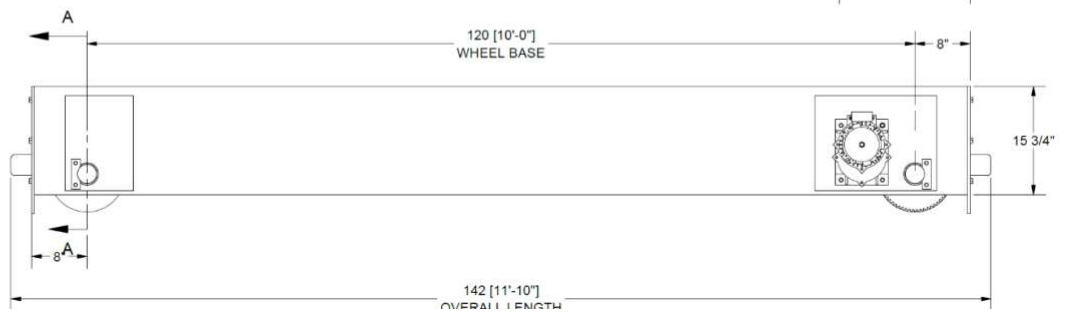
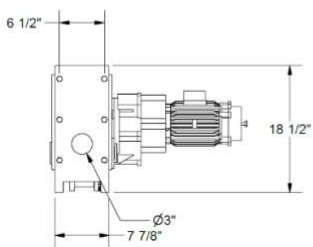
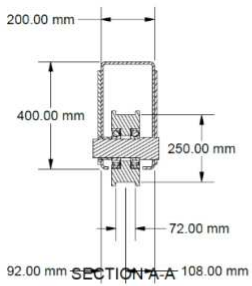
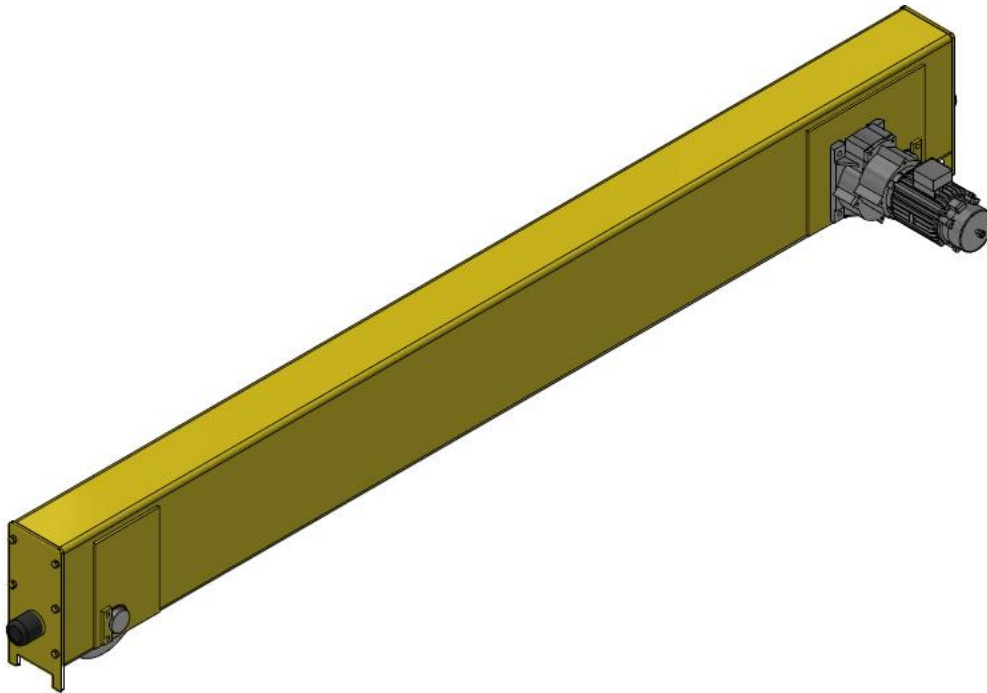
2.3 STT-170-150 Drawing



2.4 STT-170-150 Parts List

Part Description	Part Number
Gear Wheel with Bearing	600-46004
Plain Wheel with Bearing	600-46005
End Plate	N/A
End Plate Hardware (1/2" x 13 Hex Bolt Gr 5) 1-1/2" Long	N/A
Rubber Bumper, 3"x3"	600-50037
End Truck Motor	SGM100
Keeper Plate (Shaft)	N/A
Shaft	600-46006
Gear Wheel Spacer	600-46027
Plain Wheel Spacer	600-46028

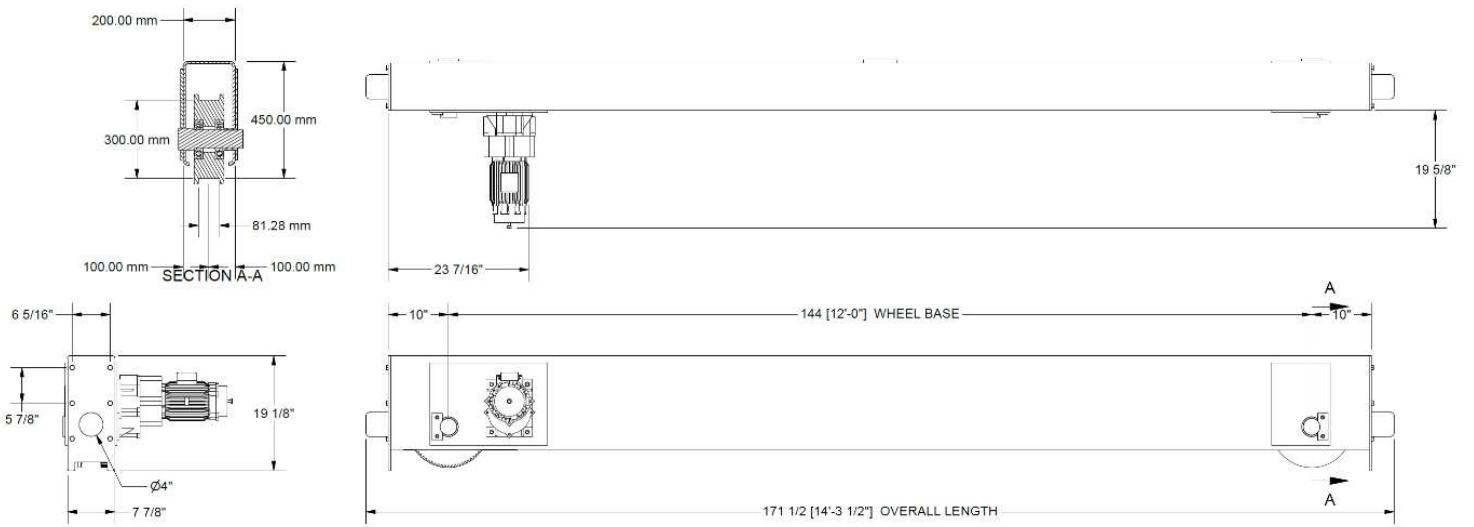
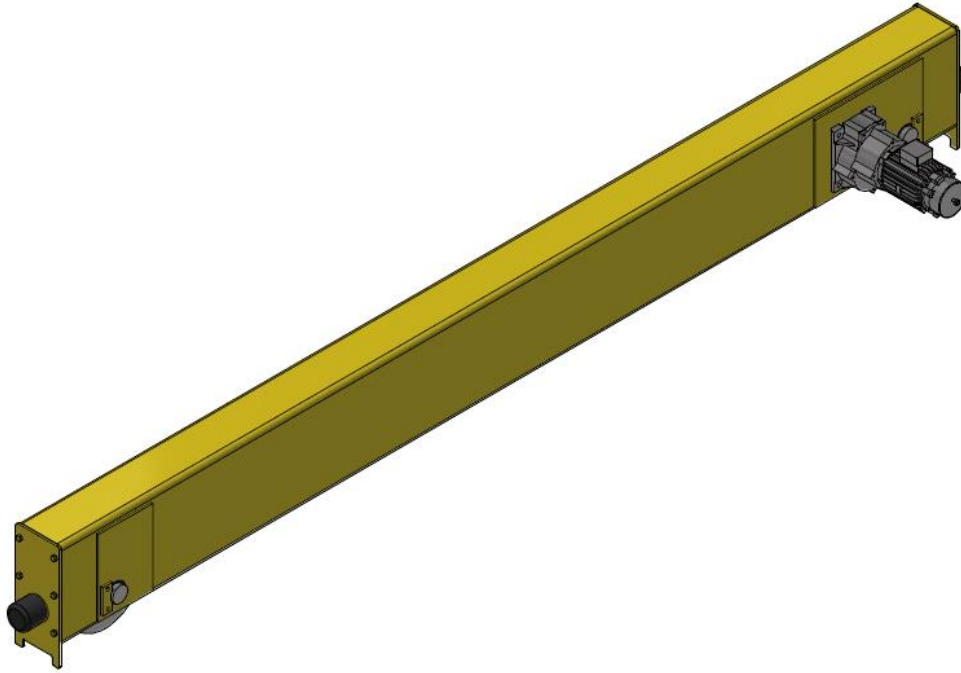
2.5 STT-250-150 Drawing



2.6 STT-250-150 Parts List

Part Description	Part Number
Gear Wheel with Bearing	600-46008
Plain Wheel with Bearing	600-46009
End Plate	N/A
End Plate Hardware (1/2" x 13 Hex Bolt Gr 5) 1-1/2" Long	N/A
Rubber Bumper, 3"x3"	600-50037
End Truck Motor	SGM200
Keeper Plate (Shaft)	N/A
Shaft	600-46010
Gear Wheel Spacer	600-46029
Plain Wheel Spacer	600-46030

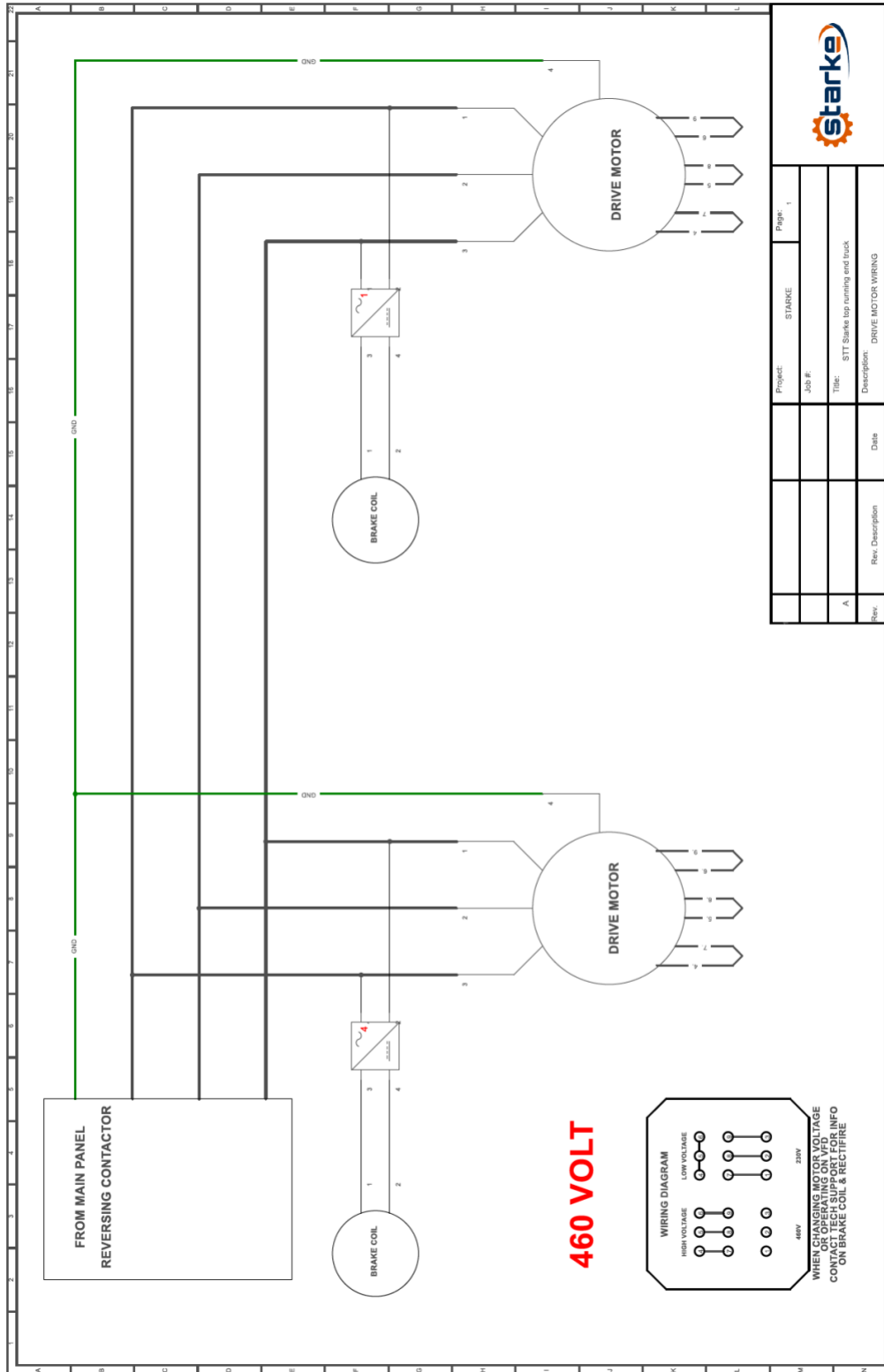
2.7 STT-300-200 Drawing



2.8 STT-300-200 Parts List

Part Description	Part Number
Gear Wheel with Bearing	600-46012
Plain Wheel with Bearing	600-46013
End Plate	N/A
End Plate Hardware (1/2" x 13 Hex Bolt Gr 5) 1-1/2" Long	N/A
Rubber Bumper, 3"x3"	600-50037
End Truck Motor	SGM500
Keeper Plate (Shaft)	N/A
Shaft	600-46014
Gear Wheel Spacer	600-46031
Plain Wheel Spacer	600-46032

3.0 STT Wiring Diagram





Starke Products Warranty

1 Year (12 Month) Parts & Labor Warranty

Unless otherwise specified, Starke guarantees that our products are free from material defects in design and workmanship under normal use, proper maintenance, and service.

This warranty is strictly limited to 12 months for single shift operation or 2,000 hours after installation, or 14 months after shipment, whichever is shorter. Within ten days after defect is found, warrantee must deliver a written notice to Starke providing defect information. All requested warranty information must be received promptly by Starke in no more than 5 business days.

Customer is responsible for all shipping charges on returned/warrantable items. Starke will cover the repair (parts and labor) at no charge or provide a replacement item at Starke's discretion.

This warranty does not cover defects or damage caused by acts of God, unusual wear and tear, improper use, or improper maintenance by the user. No responsibility for consequential damage is expressed or implied, and the responsibility under this warranty/guaranty is limited to the repair or replacement of the defective materials. Repair or replacement of the item is fully at the discretion of Starke.

ALL OTHER REPRESENTATIONS, EXPRESS OR IMPLIED, WARRANTY, OR LIABILITY RELATING TO THE CONDITION OR USE OF THE PRODUCT ARE SPECIFICALLY DISAVOWED, AND IN NO EVENT SHALL STARKE BE LIABLE TO BUYER, OR ANY THIRD PARTY, FOR ANY DIRECT OR INDIRECT CONSEQUENTIAL OR INCIDENTAL DAMAGES

STARKE

Starkeamerica.com/contact-us/

(Intentionally Left Blank)



Contact Your Starke Representative for More Information on Products to Help Maximize Your Workplace Efficiency



Hoists & Trolleys



Crane Components



Electrification



Crane Kits



Slings



Safety

