



OWNER'S MANUAL

# SCU Under-Running Motorized End Trucks



## Table of Contents

1.0 Product Introduction .....	3
2.0 Drawings & Parts Lists .....	4
2.1 SCU End Truck Drawings .....	4
2.2 SCU Parts List.....	5
3.0 SCU Wiring Diagram.....	6
4.0 Maintenance of Your End Trucks .....	7
Starke Products Warranty .....	8

## 1.0 Product Introduction

Thank you for purchasing a Starke SCU Under Running Motorized End Truck Kit. These HD bridge crane end trucks require very little maintenance and can accommodate most lengths of bridge cranes. Please make sure that the power supply you intend to hook up to the End Truck Motors matches the voltage the motors require.



1.1 SCU Under-Running End Truck

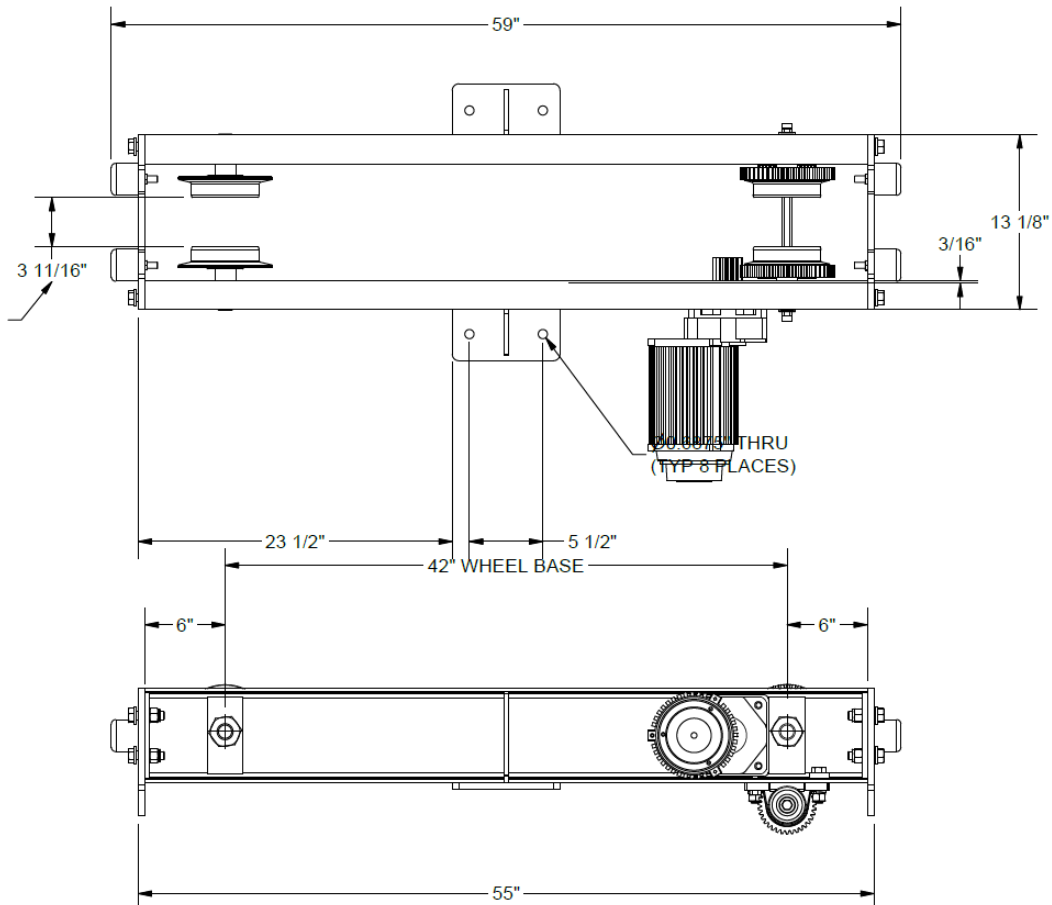
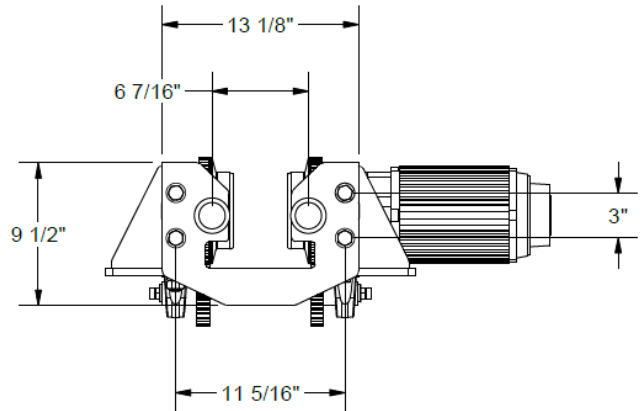
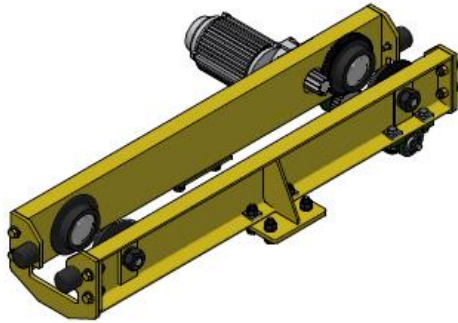


1.2 SCU Under-Running End Truck with a Crane

## 2.0 Drawings & Parts Lists

### 2.1 SCU End Truck Drawings

▲IMPORTANT NOTE: These are basic drawings. Yours may be different.



## 2.2 SCU-110-100 Parts List

Part Description	Part Number
Gear Wheel with Bearing	600-46016 53 tooth
Plain Wheel with Bearing	600-46017
Rubber Bumper	600-50037
End Truck Motor w/Gear	600-46065 (SGM050) M3*22T ½ hp
Gear, Motor Shaft	600-46080
Cross Shaft	(Cut to Length 5/8" Hex)
Bearing Housing w/Bearing	600-46019
Small Drive Gear	600-46043

## 2.2 SCU-130-100 Parts List

Part Description	Part Number
Gear Wheel with Bearing	600-46037 59 tooth
Plain Wheel with Bearing	600-46038
Rubber Bumper	600-50037
End Truck Motor w/Gear	600-46066 (SGM100) M3*17T 1hp
Gear, Motor Shaft	600-46081
Cross Shaft	(Cut to Length 5/8" Hex)
Bearing Housing w/Bearing	600-46019
Small Drive Gear	600-46044

## 2.2 SCU-160-100 Parts List

Part Description	Part Number
Gear Wheel with Bearing	600-46039 49 tooth
Plain Wheel with Bearing	600-46040
Rubber Bumper	600-50037
End Truck Motor w/Gear	600-46067 (SGM150) M4*22T 1.5hp
Gear, Motor Shaft	600-46082
Cross Shaft	(Cut to Length 5/8" Hex)
Bearing Housing w/Bearing	600-46019
Small Drive Gear	600-46045

## 2.2 SCU-190-100 Parts List

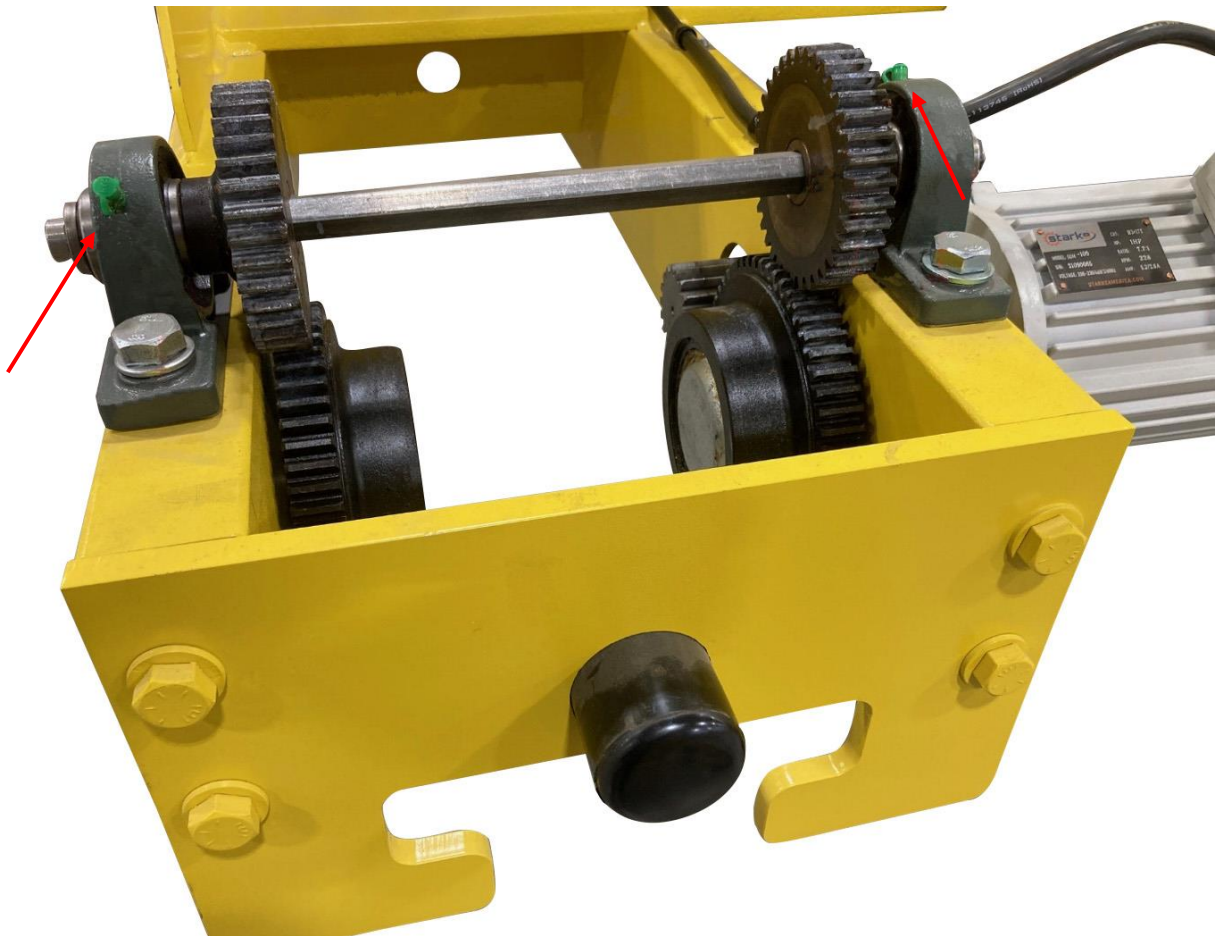
Part Description	Part Number
Gear Wheel with Bearing	600-46041 54 tooth
Plain Wheel with Bearing	600-46042
Rubber Bumper	600-50037
End Truck Motor w/Gear	600-46068 (SGM200) M5*25T 2HP
Gear, Motor Shaft	600-46083
Cross Shaft	(Cut to Length 5/8" Hex)
Bearing Housing w/Bearing	600-46019
Small Drive Gear	600-46046



## 4.0 Maintenance of Your End Trucks

Grease all fittings as shown every 400 hours of use or yearly. Whichever comes first.

Choose a good quality roller bearing grease.



4.1 Grease Points



## Starke Products Warranty

### 1 Year (12 Month) Parts & Labor Warranty

Unless otherwise specified, Starke guarantees that our products are free from material defects in design and workmanship under normal use, proper maintenance, and service.

This warranty is strictly limited to 12 months for single shift operation or 2,000 hours after installation, or 14 months after shipment, whichever is shorter. Within ten days after defect is found, warrantee must deliver a written notice to Starke providing defect information. All requested warranty information must be received promptly by Starke in no more than 5 business days.

**Customer is responsible for all shipping charges on returned/warrantable items. Starke will cover the repair (parts and labor) at no charge or provide a replacement item at Starke's discretion.**

This warranty does not cover defects or damage caused by acts of God, unusual wear and tear, improper use, or improper maintenance by the user. No responsibility for consequential damage is expressed or implied, and the responsibility under this warranty/guaranty is limited to the repair or replacement of the defective materials. Repair or replacement of the item is fully at the discretion of Starke.

*ALL OTHER REPRESENTATIONS, EXPRESS OR IMPLIED, WARRANTY, OR LIABILITY RELATING TO THE CONDITION OR USE OF THE PRODUCT ARE SPECIFICALLY DISAVOWED, AND IN NO EVENT SHALL STARKE BE LIABLE TO BUYER, OR ANY THIRD PARTY, FOR ANY DIRECT OR INDIRECT CONSEQUENTIAL OR INCIDENTAL DAMAGES*

STARKE

[Starkeamerica.com/contact-us/](http://Starkeamerica.com/contact-us/)











Contact Your Starke Representative for More Information on Products to Help Maximize Your Workplace Efficiency



**Hoists & Trolleys**

**Crane Components**



**Electrification**

**Crane Kits**



**Slings**



**Safety**