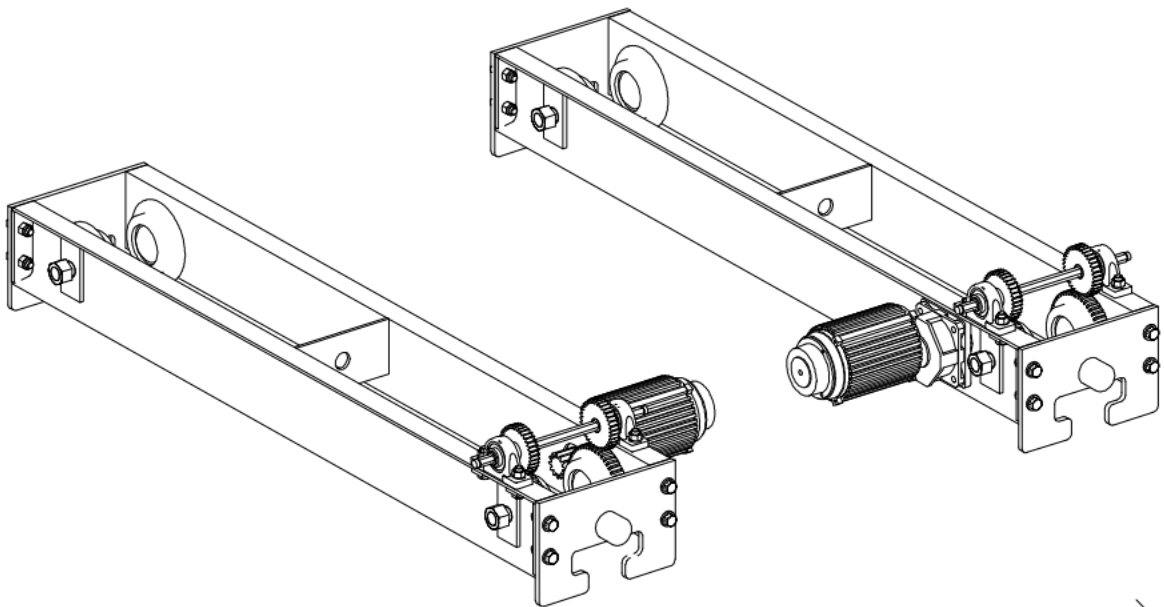
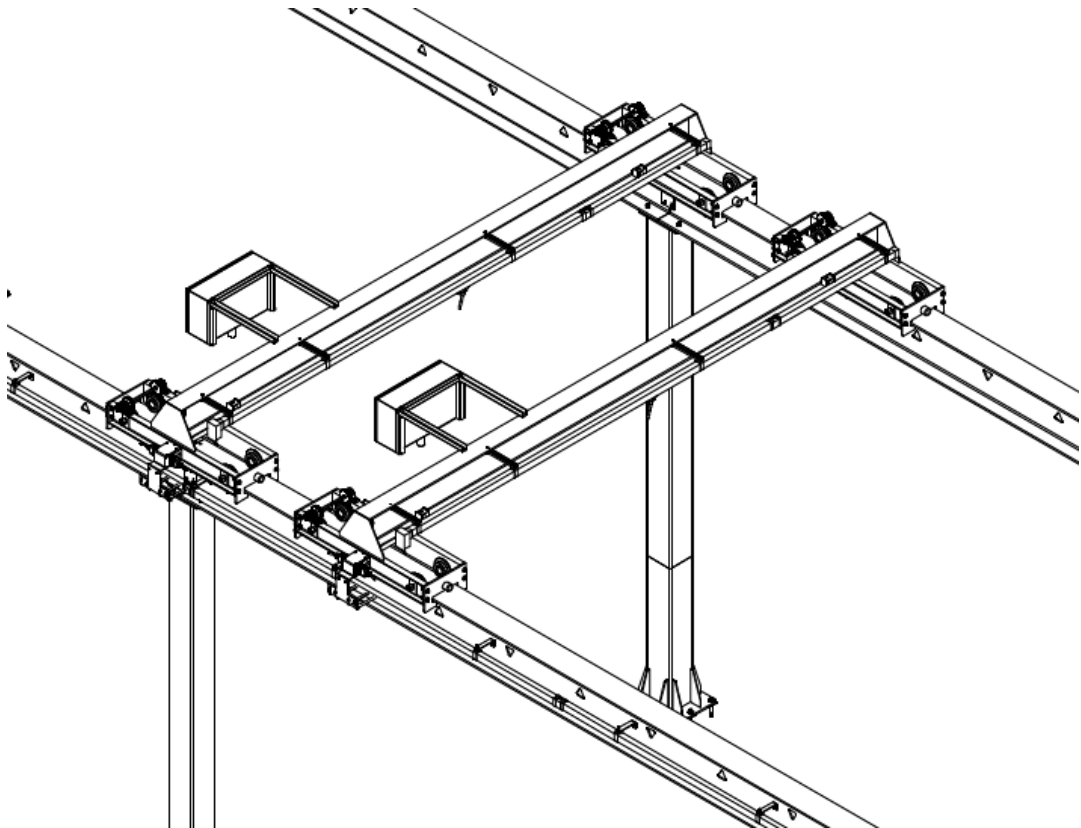




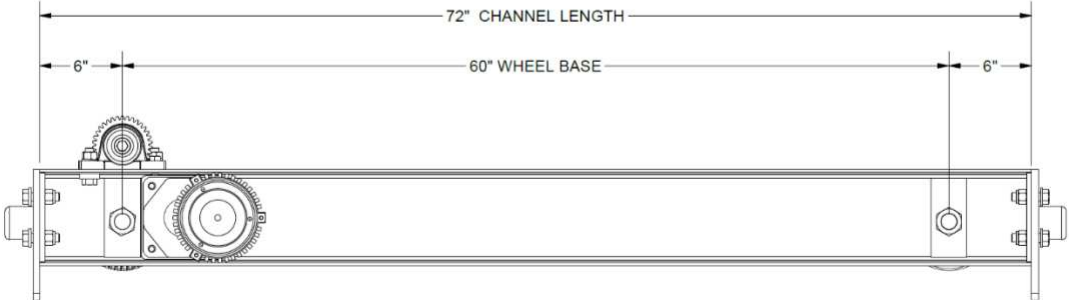
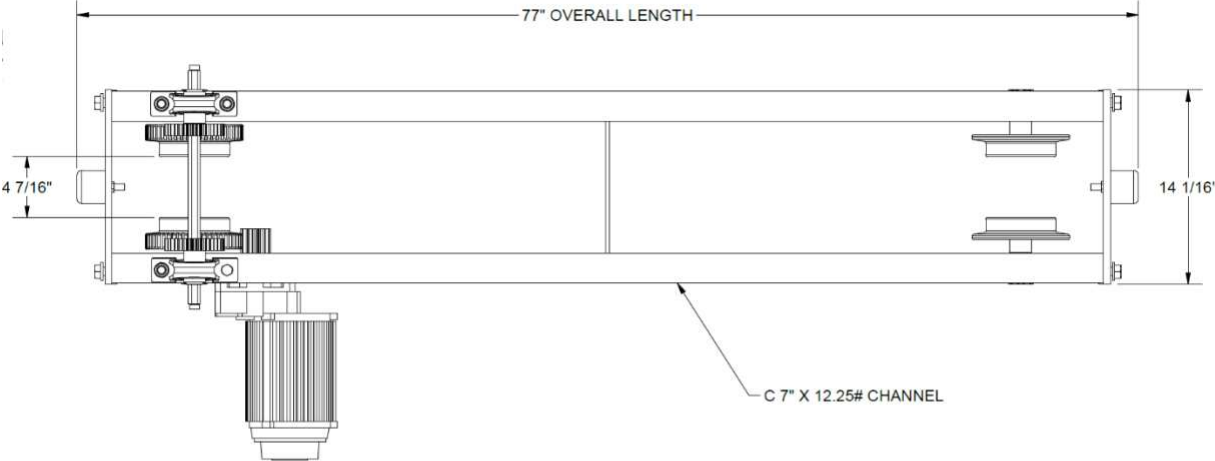
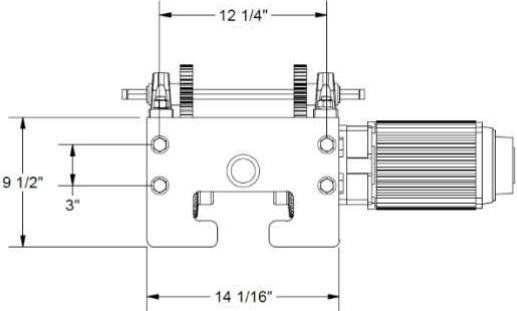
OWNER'S MANUAL

Starke SCT Top-Runner Motorized End Trucks



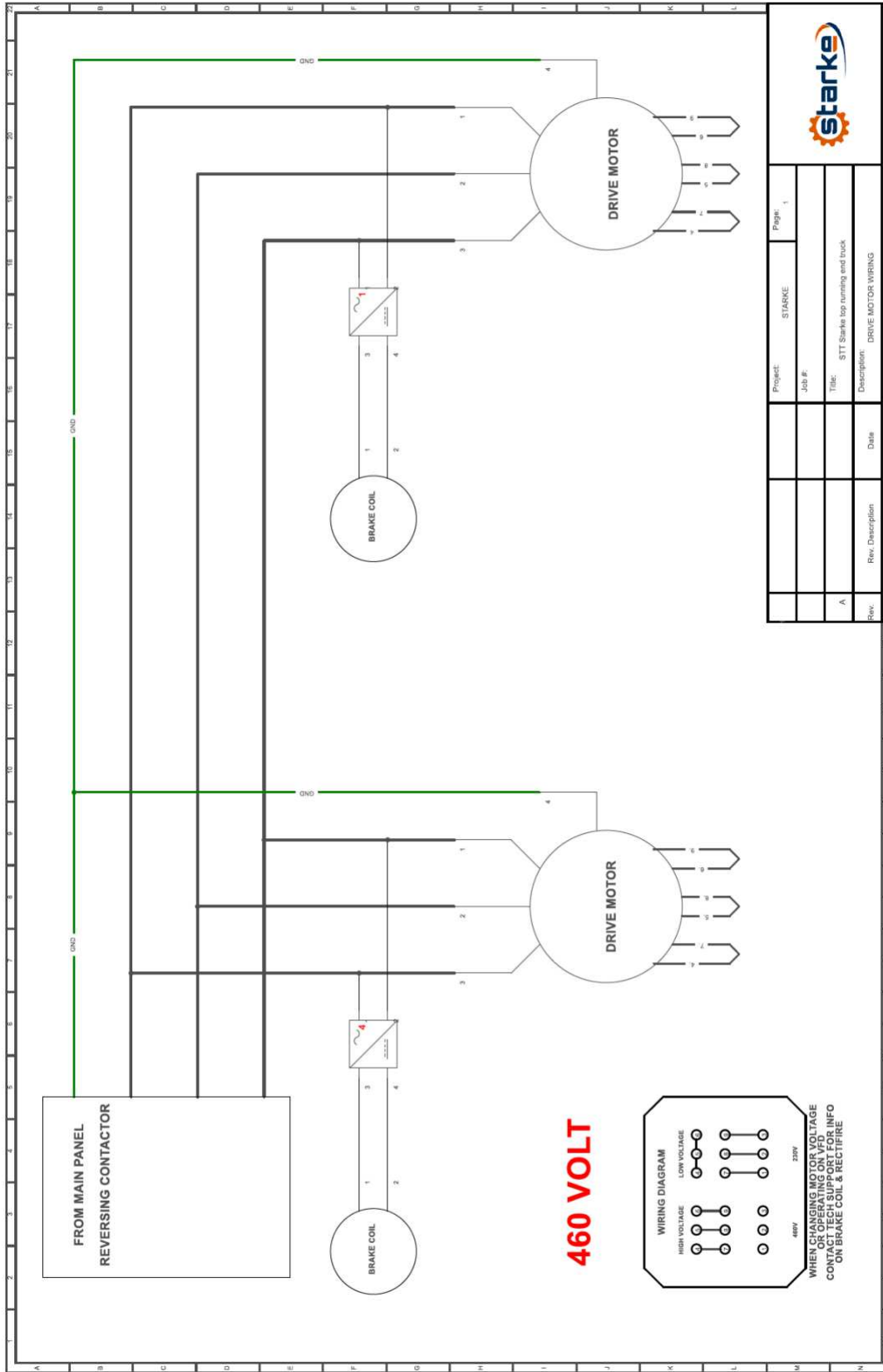


SCT End Truck (basic drawings, your kit may be different)



SCT Parts List:

Gear Wheel with Bearing.....	600-46016
Plain Wheel with Bearing.....	600-46017
Rubber Bumper.....	600-50037
End Truck Motor w/gear.....	600-46021
Gear, Motor Shaft.....	600-46022
Cross Shaft.....	600-46018 cut to length 5/8" Hex
Bearing Housing w/Bearing.....	600-46019
Small Drive Gear.....	600-46020



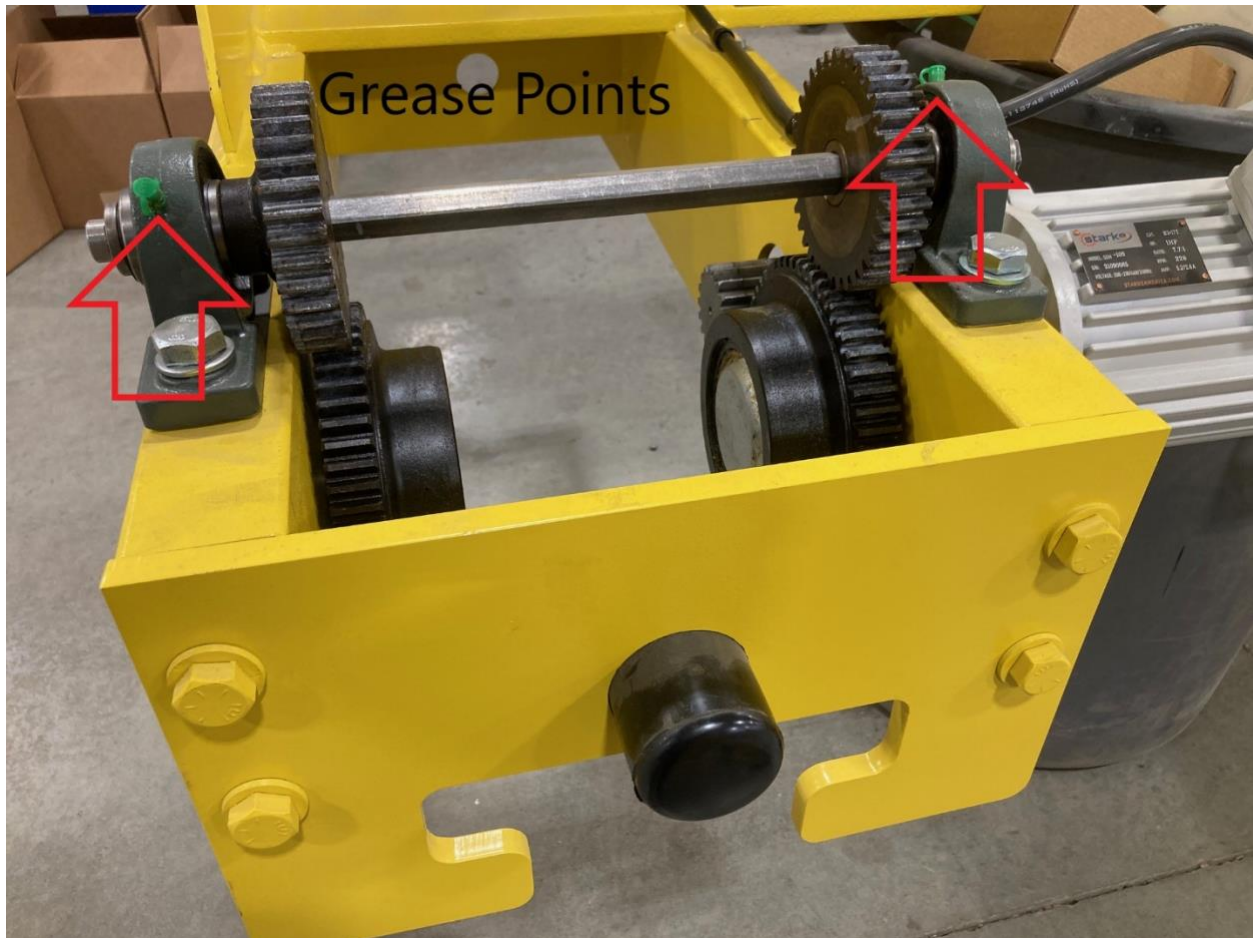
Project:	STARKE	Page:	1
Job #:			
Title:	STT Starke top turning end truck		
Description:	DRIVE MOTOR WIRING		
Rev.:		Date:	
	Rev. Description		
A			



Maintenance of your end trucks

Grease all fittings as shown every 400 hours of use or yearly. Whichever comes first.

Choose a good quality roller bearing grease.





Starke Products Warranty

1 Year (12 Month) Parts & Labor Warranty

Unless otherwise specified, Starke guarantees that our products are free from material defects in design and workmanship under normal use, proper maintenance, and service.

This warranty is strictly limited to 12 months for single shift operation or 2,000 hours after installation, or 14 months after shipment, whichever is shorter. Within ten days after defect is found, warrantee must deliver a written notice to Starke providing defect information. All requested warranty information must be received promptly by Starke in no more than 5 business days.

Customer is responsible for all shipping charges on returned/warrantable items. Starke will cover the repair (parts and labor) at no charge or provide a replacement item at Starke's discretion.

This warranty does not cover defects or damage caused by acts of God, unusual wear and tear, improper use, or improper maintenance by the user. No responsibility for consequential damage is expressed or implied, and the responsibility under this warranty/guaranty is limited to the repair or replacement of defective materials. Repair or replacement of the item is fully at the discretion of Starke.

ALL OTHER REPRESENTATIONS, EXPRESS OR IMPLIED, WARRANTY, OR LIABILITY RELATING TO THE CONDITION OR USE OF THE PRODUCT ARE SPECIFICALLY DISAVOWED, AND IN NO EVENT SHALL STARKE BE LIABLE TO BUYER, OR ANY THIRD PARTY, FOR ANY DIRECT OR INDIRECT CONSEQUENTIAL OR INCIDENTAL DAMAGES

STARKE
Starkeamerica.com/contact-us/