



OWNER'S MANUAL

# SBK Under-Running Manual End Trucks



## Table of Contents

1.0 Product Introduction .....	3
2.0 Drawings & Parts Lists .....	4
2.1 SBK End Truck Drawing .....	4
2.2 SBK End Truck Parts List .....	5
Starke Products Warranty .....	6

## 1.0 Product Introduction

Thank you for purchasing a Starke SBK Under Running Manual End Truck Kit. These HD bridge crane end trucks require very little maintenance and can accommodate most lengths of bridge cranes. These simple yet durable units are built in the USA and have been a proven success for many, many years.



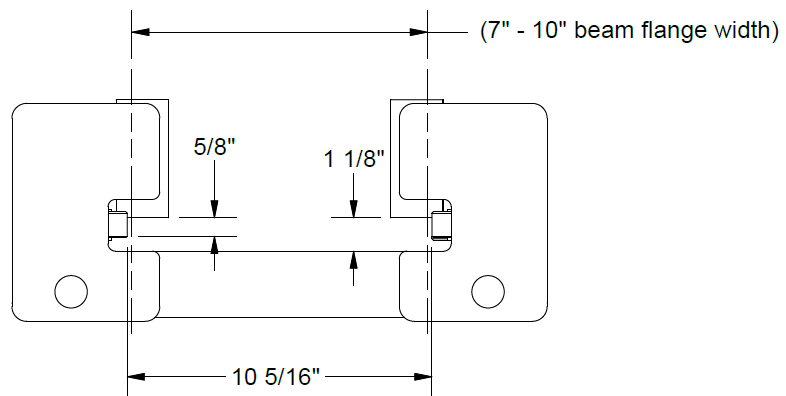
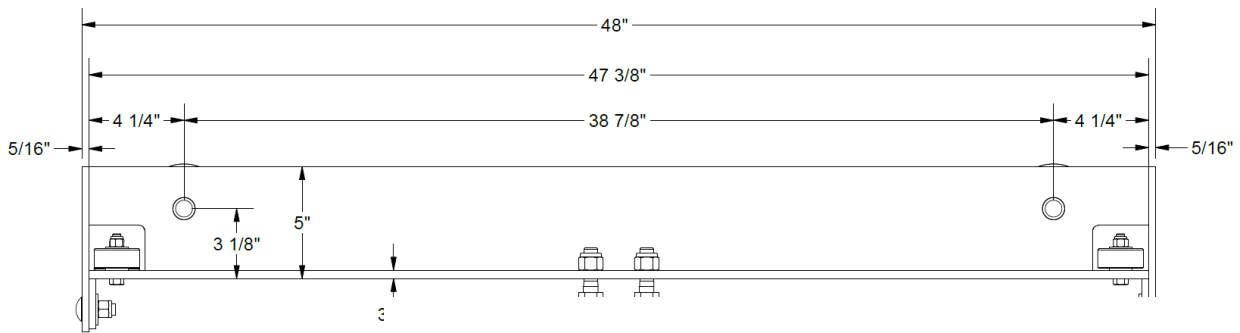
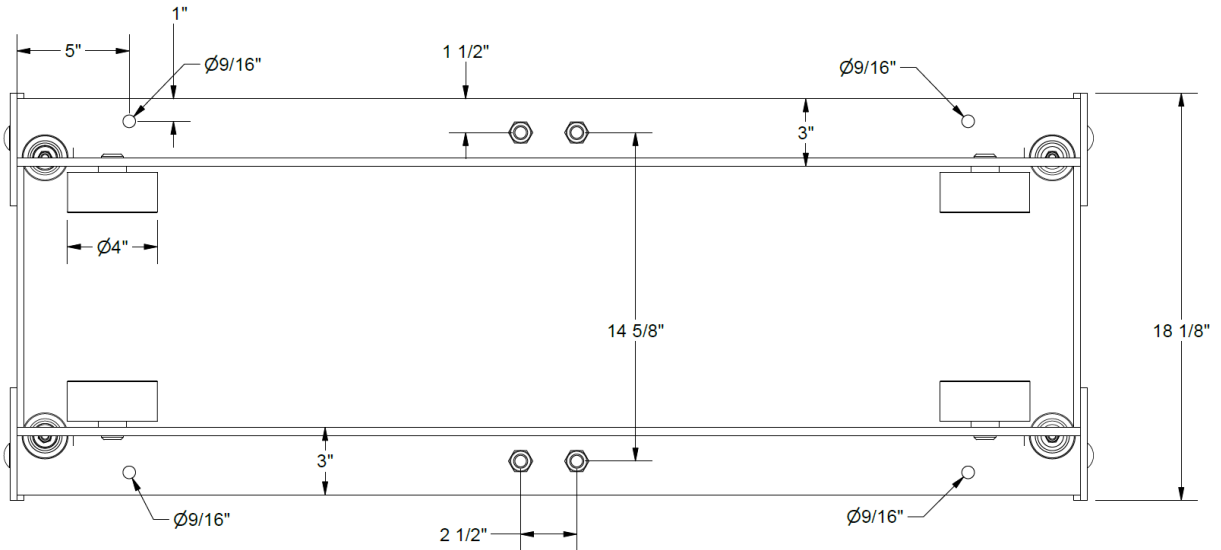
1.1 SBK End Truck

- This model is designed to run directly on Wide Flange Beam
- Ships painted gray primer

## 2.0 Drawings & Parts Lists

### 2.1 SBK End Truck Drawing

▲IMPORTANT NOTE: These are basic drawings. Yours may be different.



## 2.2 SBK End Truck Parts List

Part Description	Part Number
SBK1048/2048 Plain Wheel with Bearing- 4" OD Plastic	600-50041
SBK4048 Plain Wheel with Bearing- 4.25" OD Steel	600-50166
SBK6060 Plain Wheel with Bearing- 6" OD Steel	600-50175
SBK01ST Tapered Wheel Kit	Optional-Starkeamerica.com
Flange Width Extender- All Models- 7"-10" Flange Cap.	SBK-03FW
Wheel Snap Ring- SBK1048/2048/4048	600-50165
Wheel Snap Ring- SBK6060	600-50177
Side Guide Roller Bearing- All Models	600-50031



2.2.1 SBK End Truck Part of a Crane System



## Starke Products Warranty

### 1 Year (12 Month) Parts & Labor Warranty

Unless otherwise specified, Starke guarantees that our products are free from material defects in design and workmanship under normal use, proper maintenance, and service.

This warranty is strictly limited to 12 months for single shift operation or 2,000 hours after installation, or 14 months after shipment, whichever is shorter. Within ten days after defect is found, warrantee must deliver a written notice to Starke providing defect information. All requested warranty information must be received promptly by Starke in no more than 5 business days.

**Customer is responsible for all shipping charges on returned/warrantable items. Starke will cover the repair (parts and labor) at no charge or provide a replacement item at Starke's discretion.**

This warranty does not cover defects or damage caused by acts of God, unusual wear and tear, improper use, or improper maintenance by the user. No responsibility for consequential damage is expressed or implied, and the responsibility under this warranty/guaranty is limited to the repair or replacement of the defective materials. Repair or replacement of the item is fully at the discretion of Starke.

*ALL OTHER REPRESENTATIONS, EXPRESS OR IMPLIED, WARRANTY, OR LIABILITY RELATING TO THE CONDITION OR USE OF THE PRODUCT ARE SPECIFICALLY DISAVOWED, AND IN NO EVENT SHALL STARKE BE LIABLE TO BUYER, OR ANY THIRD PARTY, FOR ANY DIRECT OR INDIRECT CONSEQUENTIAL OR INCIDENTAL DAMAGES*

STARKE

[Starkeamerica.com/contact-us/](http://Starkeamerica.com/contact-us/)











Contact Your Starke Representative for More Information on Products to Help Maximize Your Workplace Efficiency



**Hoists & Trolleys**



**Crane Components**



**Electrification**



**Crane Kits**



**Slings**



**Safety**

