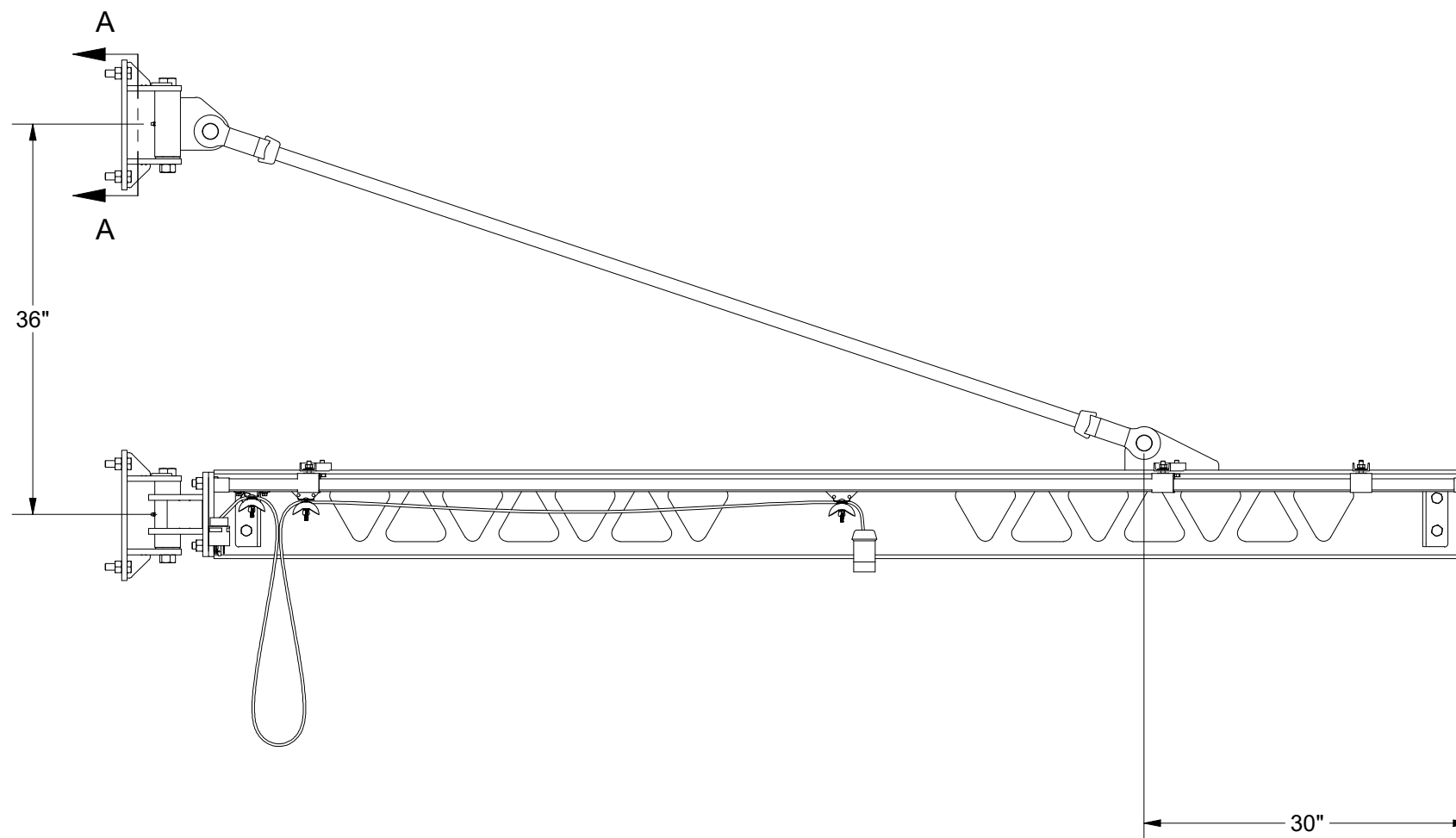
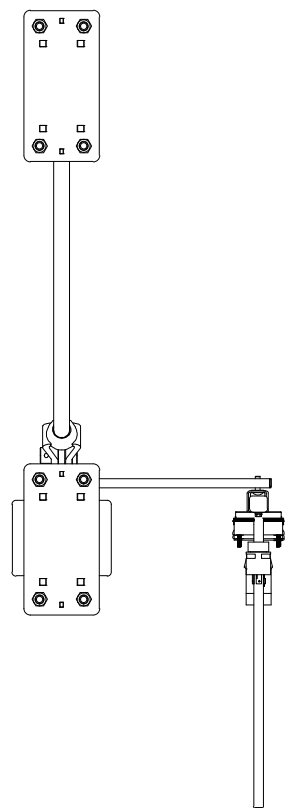
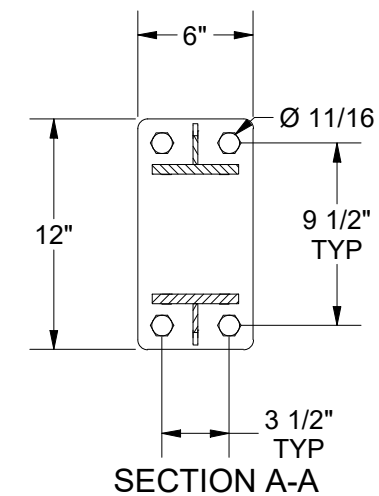
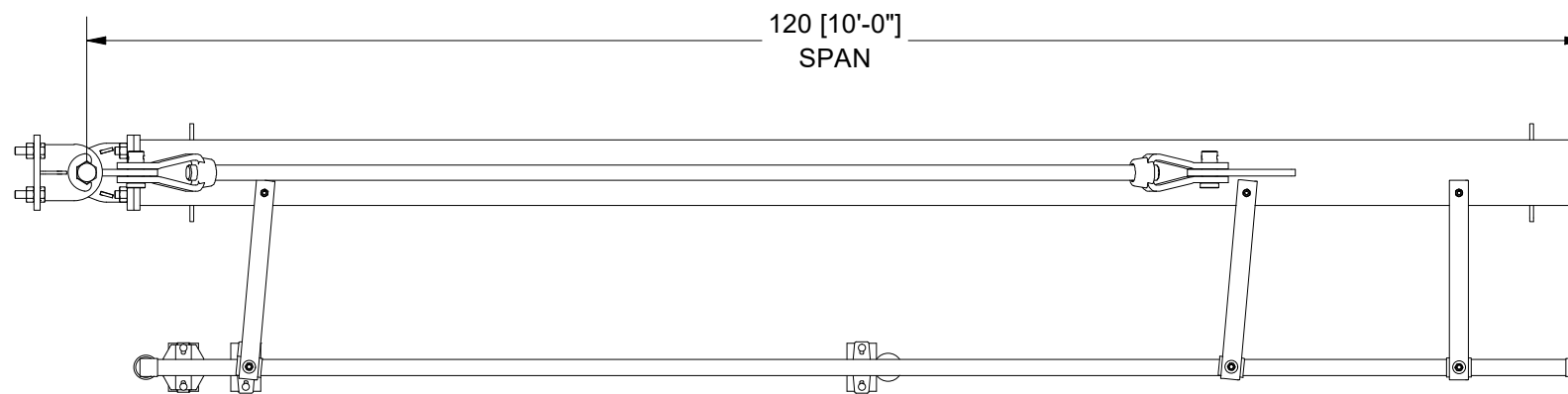
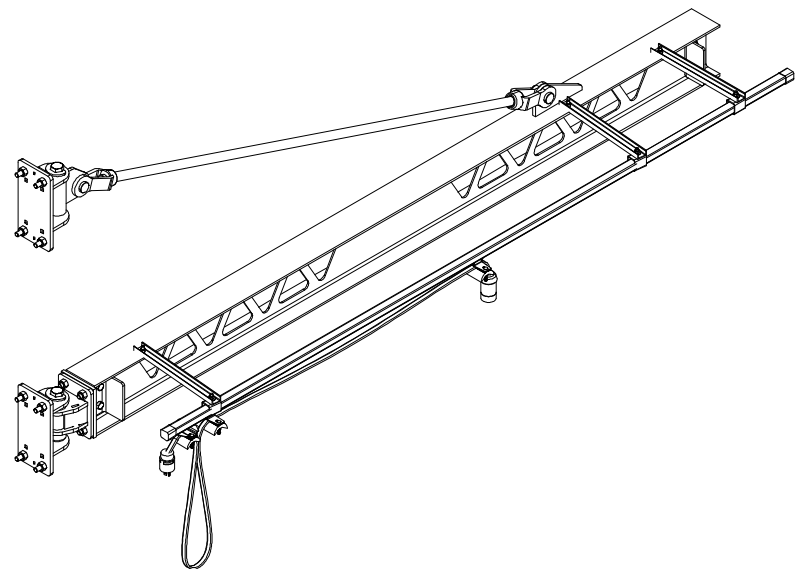


Y:\Automated Drawings\JC #21706\JC #21706 - Customer Approval Drawing.pdf 2024-06-05 10:54



*QTY: 1

SUBMITTAL REVIEW
 CUSTOMER IS RESPONSIBLE TO VERIFY ALL DIMENSIONS.
 SIGNED APPROVAL AUTHORIZES PWI TO PROCEED WITH
 SHOP FABRICATION AND INSTALLATION.

APPROVED
 APPROVED WITH CHANGES NOTED


 SIGN ABOVE

 DATE

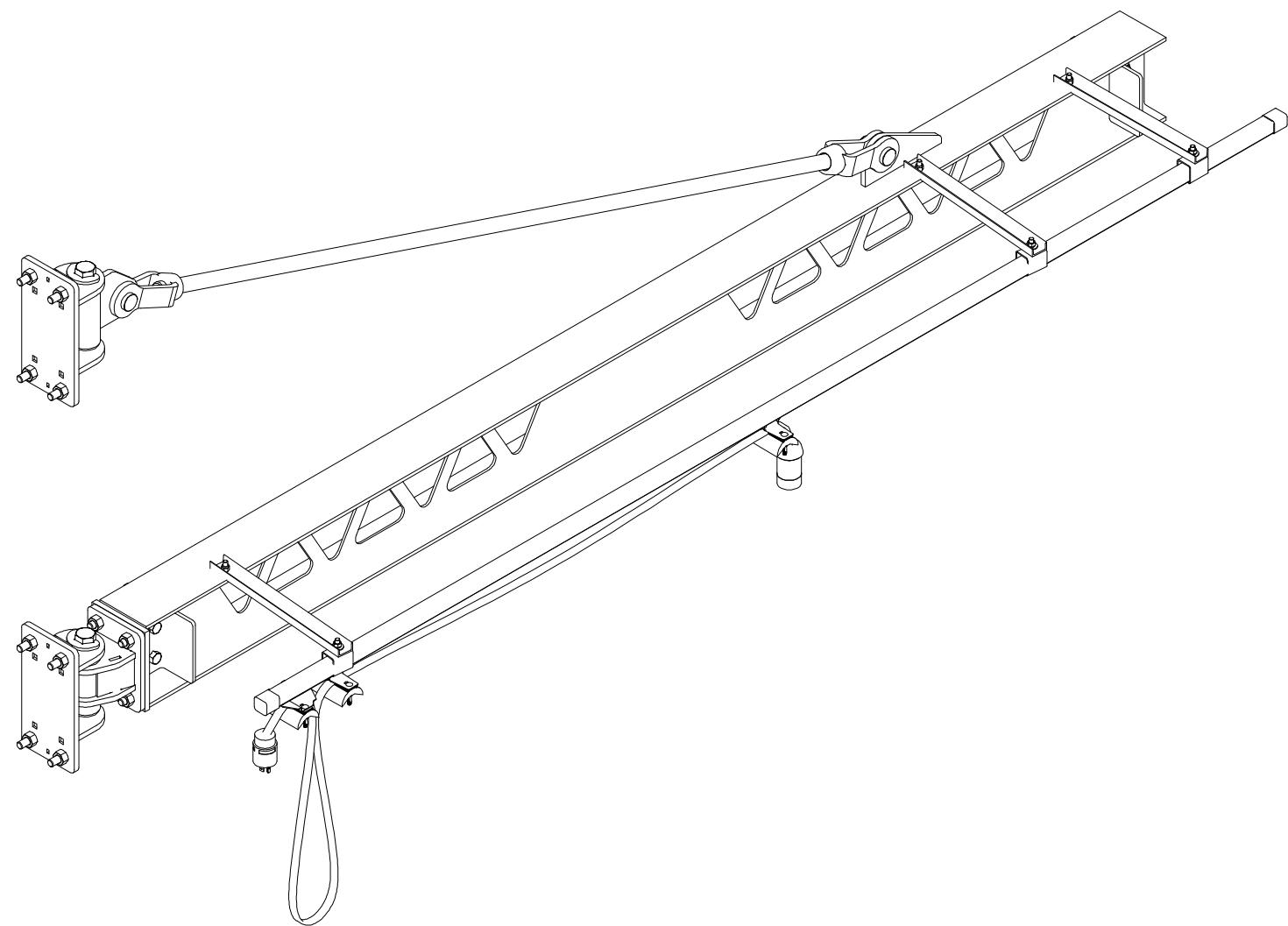
JC #21706 - JTU version 240604.9

JOB:
 HOIST ZONE CUSTOMER
 SAMPLE APPROVAL DRAWING -
 (PWIJ-UL-WMTR-200010)
 Quote

DRAWING:
 TIE ROD JIB CRANE
 JC #21706

PAINT COLOR: PAINT YELLOW		PAGE 1 OF 2
SALESMAN: HOIST ZONE SALESMAN		
TOLERANCES (U.N.O.): DIMENSIONS: ±1/8" ANGLES: ± 0.2°		

Y:\Automated Drawings\JC #21706\JC #21706 - Customer Approval Drawing.pdf 2024-06-05 10:54




SHIPPING LIST							
ITEM	QTY	PART NO.	DESCRIPTION	LENGTH	UNIT WT.	NET WT.	FINISH
1	1	-	TIE ROD JIB BOOM WELDMENT		165.70	165.7	PAINT YELLOW
2	2	CL30	#3 CLEVIS, 1-1/4" RIGHT-HAND THREADS		4.64	9.27	PAINT YELLOW
3	4	PL1019	6 X 4 END STOP	6 in	2.90	11.62	BLACK PDC
4	2		END CAP		0.17	0.33	
5	3	SET-90077	FESTOON BRACKET - 16 IN	16 in	1.55	4.66	BLACK PAINT
6	1	S100-13	FESTOON TRACK		7.32	7.32	
7	2	S100-CFT	FESTOON TROLLEY		1.22	2.44	
8	1	S100-CET	FESTOON TROLLEY, CLAMP STYLE		1.15	1.15	
9	2	-	HEADED CLEVIS PIN		1.05	2.1	PURCHASED
10	1	-	JIB HINGE, BOLT-ON	12 in	33.85	33.85	BLACK PAINT
11	1	NEMA L16-20	NEMA L16-20 FEMALE PLUG		0.60	0.6	
12	1	NEMA L16-20	NEMA L16-20 MALE PLUG		0.35	0.35	
13	3	S100-SH	SINGLE BOLT STANDARD HANGER		0.40	1.2	PURCHASED
14	1	-	TIE ROD HINGE, BOLT-ON	12 in	24.44	24.44	BLACK PAINT
15	1	-	TENSION ROD	81 15/16 in	28.51	28.51	PAINT YELLOW
16	1	-	4-14 FESTOON CABLE	199 3/4 in	15.00	15	PURCHASED
17	3	-	3/8"-16 HEX BOLT (GR. 5)	1 1/4 in	0.01	0.02	ZINC
18	3	-	3/8"-16 NYLON LOCKING NUT (GR. 8)		0.00	0.01	YELLOW ZINC
19	4	-	5/8"-11 HEX BOLT (GR. 8)	2 1/4 in	0.04	0.15	YELLOW ZINC
20	12	-	5/8"-11 STRUCTURAL BOLT (A325)	2 in	0.04	0.43	BLACK OXIDE
21	12	-	5/8"-11 HEAVY HEX NUT (A563)		0.01	0.17	BLACK OXIDE
22	4	-	5/8"-11 NYLON LOCKING NUT (GR. 8)		0.01	0.05	YELLOW ZINC
						TOTAL WT.#	309.37

SYSTEM QTY : 1
SYSTEM CAPACITY : 1 Ton
HOIST CAPACITY : 1 Ton
HOIST BRAND : Starke STK
HOIST MODEL NO. : STK1026-20
HOIST TYPE : Electric Chain Hoist
TROLLEY MODEL : Starke SPT100L
VOLTAGE : 480v Three Phase

NOTE: Ships partially assembled

***QTY: 1**

PAINT COLOR: PAINT YELLOW		
SALESMAN: HOIST ZONE SALESMAN		
<small>TOLERANCES (U.N.O.): DIMENSIONS: ±1/8" ANGLES: ± 0.2°</small>		

JOB:
HOIST ZONE CUSTOMER
SAMPLE APPROVAL DRAWING -
(PWIJ-UL-WMTR-200010)
Quote

DRAWING:
TIE ROD JIB CRANE
JC #21706