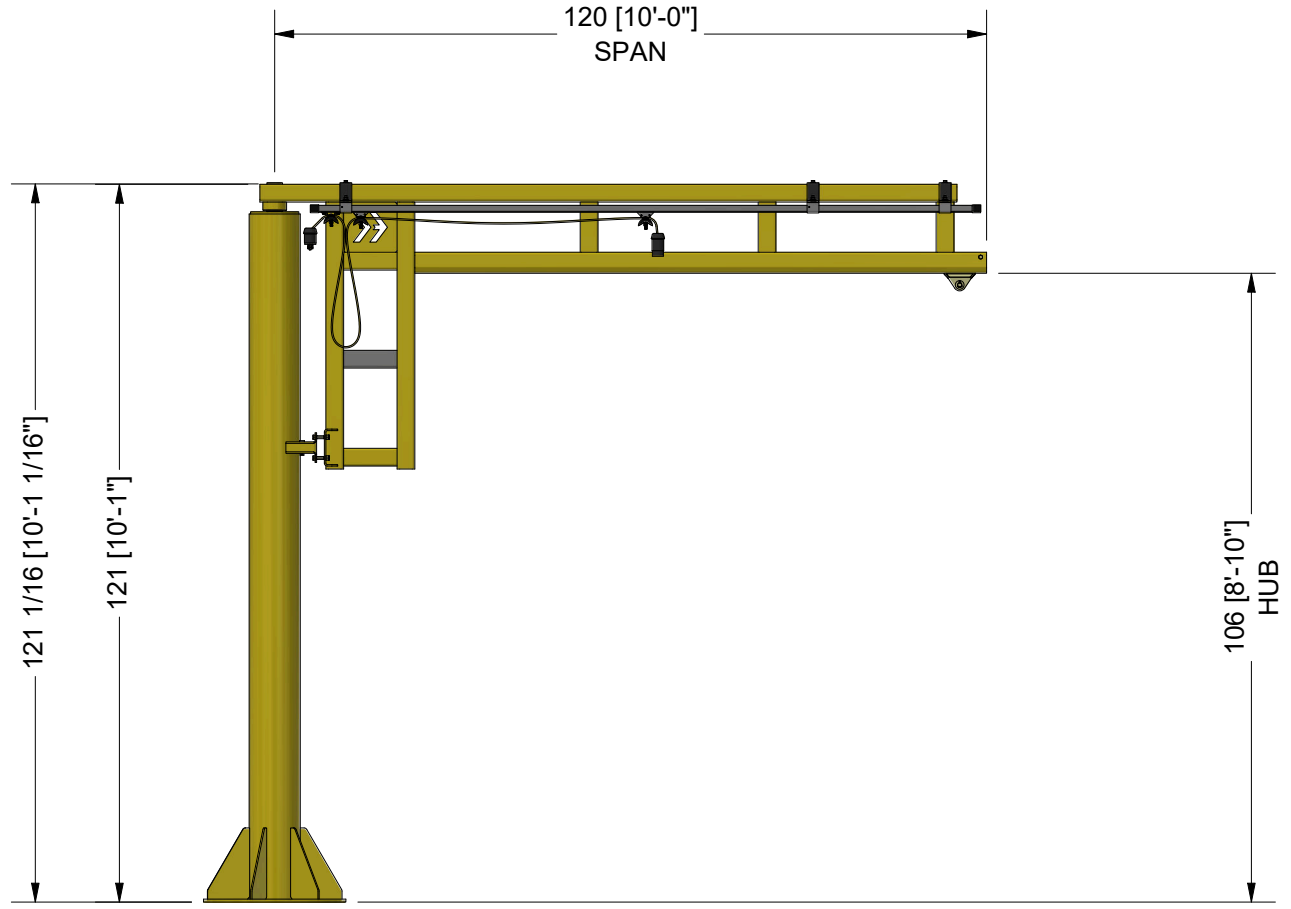
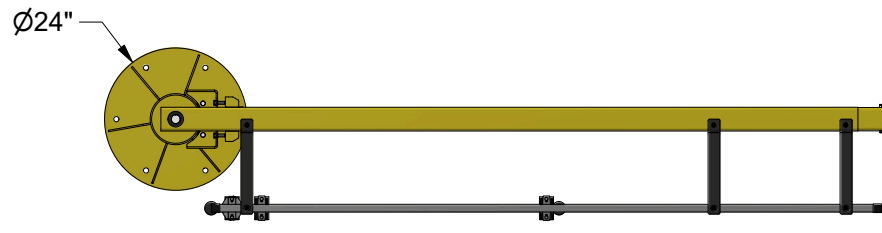
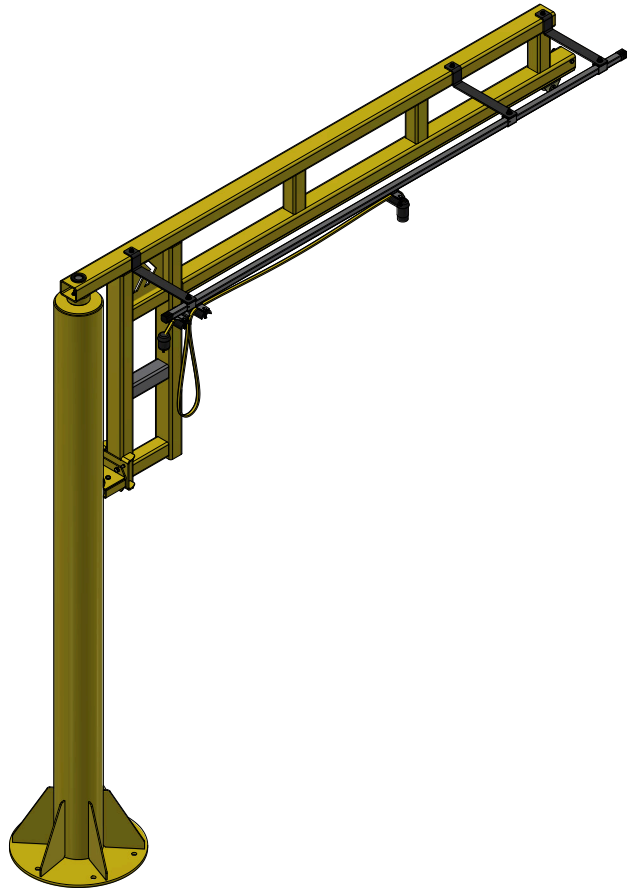


Y:\Engineering\09 Engineering Staff\Jonathan McGurn\Sample Hoist Zone Approval\HyperLite Foundationless Jib Crane\Structure.dwg Last Saved: 12-17-2024 @ 13:39:34 JACOB STAYTON {Hyperlite Jib Crane}



- Hyperlite
- Workstation
- Capacity: 1/2 Ton (1,000lbs.)
- No footer required
- Existing concrete must be 6" thick. Must be reinforced. Must be 3,000 PSI. Soil capacity must be 2,500 PSF compacted soil.
- 4-wire festoon kit included


SUBMITTAL REVIEW
 CUSTOMER IS RESPONSIBLE TO VERIFY ALL DIMENSIONS.
 SIGNED APPROVAL AUTHORIZES PWI TO PROCEED WITH SHOP FABRICATION AND INSTALLATION.

SHIPS WEEK OF 12/31 IF APPROVED BY 12/31

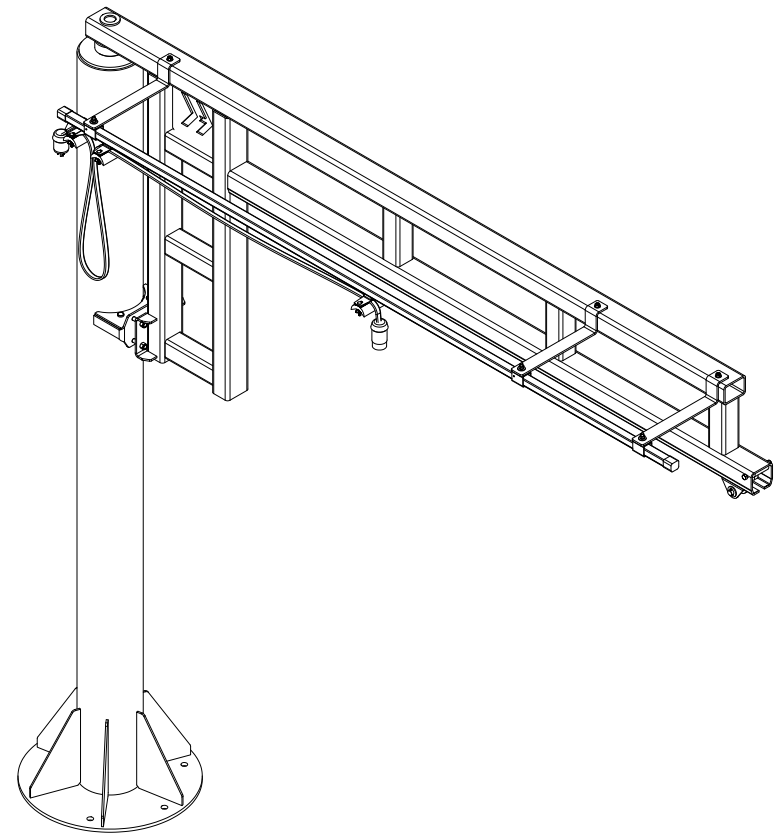
 SIGN ABOVE FOR APPROVAL DATE

JOB:
 HOIST ZONE CUSTOMER
 SAMPLE APPROVAL DRAWING
 QUOTE

DRAWING:
 HYPERLITE JIB CRANE

PAINT COLOR: YELLOW, SAFETY		
SALESMAN: HOIST ZONE SALESMAN	TOLERANCES (U.N.O.): DIMENSIONS: ±1/8" ANGLES: ± 0.2°	

Y:\Engineering\09 Engineering Staff\Johnathan McGurn\Sample Hoist Zone Approval\HyperLite Foundationless Jib Crane\Structure.dwg
 Last Saved: 12-17-2024 @ 13:39:34 JACOB STAYTON (HyperLite Jib Crane)



SHIPPING LIST							
ITEM	QTY	PART NO.	DESCRIPTION	LENGTH	UNIT WT.	NET WT.	FINISH
1	1	QUOTE-JC-WD01	JIB COLUMN		369.74	369.74	YELLOW, SAFETY
2	1	QUOTE-JC-WD02	WORK STATION JIB WELDMENT		302.28	302.28	YELLOW, SAFETY
3	1	AS1078	BOTTOM ROLLER ASSEMBLY, 8 IN PIPE		11.75	11.75	
5	1	S100-156	FESTOON TRACK		7.15	7.15	
6	2	S100-CFT	FESTOON TROLLEY		1.22	2.44	
7	1	S100-CET	FESTOON TROLLEY, CLAMP STYLE		1.15	1.15	
8	3	PL1886	HYPERLITE BRIDGE FESTOON BRACKET	18 9/16 in	2.63	7.88	BLACK
9	1	NEMA L6-20-F	NEMA L6-20 FEMALE PLUG		3.28	3.28	
10	1	NEMA L6-20-M	NEMA L6-20 MALE PLUG		2.43	2.43	
11	1	S100-AH	SINGLE BOLT ANCHOR HANGER		0.40	0.4	PURCHASED
12	2	S100-SH	SINGLE BOLT STANDARD HANGER		0.40	0.8	PURCHASED
13	2	S100-EC	TRACK END CAP		0.17	0.33	
14	1	RB1003	300 SERIES END STOP		0.09	0.09	BLACK
15	1	UH1032	SHAFT WASHER		0.03	0.03	BLACK
16	1	-	7/16"-14 HEX BOLT (GR. 8)	4 in	0.03	0.03	YELLOW ZINC
17	1	-	7/16"-14 NYLON LOCKING NUT (GR. 8)		0.00	0	YELLOW ZINC
18	4	-	1/2"-13 HEX BOLT (GR. 8)	1 1/2 in	0.02	0.07	YELLOW ZINC
19	4	-	1/2"-13 NYLON LOCKING NUT (GR. 8)		0.01	0.02	YELLOW ZINC
20	1	-	1/4" STANDARD - 65 DEG GREASE ZERK		0.00	0	PURCHASED
21	3	-	3/8" TEK SCREW	1 in	0.01	0.02	ZINC
22	1	S300-EMT	300 SERIES ENCLOSED TRACK HOIST TROLLEY	1 1/4 in	0.62	0.62	YELLOW ZINC
23	1	-	4-14 FESTOON CABLE	197 in	15.00	15	PURCHASED
24	1	6436K21	1.25 CLAMPING TWO-PIECE SHAFT COLLAR		0.26	0.26	PURCHASED
25	1	26878-26823	ROLLER BEARING		1.19	1.19	UNFINISHED
26	1	5154T842	1.5 SPRING-LOADED ROTARY SHAFT SEAL		0.04	0.04	PURCHASED


TOTAL WT.#	727.00
------------	--------

QTY: 1

PAINT COLOR: YELLOW, SAFETY	PAGE 2 OF 5
---------------------------------------	----------------

JOB:
**HOIST ZONE CUSTOMER
 SAMPLE APPROVAL DRAWING
 QUOTE**

DRAWING:
**HYPERLITE JIB CRANE
 -**

SALESMAN: HOIST ZONE SALESMAN	
<small>TOLERANCES (U.N.O.): DIMENSIONS: ±1/8" ANGLES: ± 0.2°</small>	