

Cyclone Army type trolley hoist

Same quality and performance as the Cyclone in a compact, low headroom integral trolley mount. Ideal for applications requiring a moveable hoist including:

- Rugged steel loadbars connected directly to hoist frame
- Reduced headroom, side clearances and end approach for easy maneuvering of heavy loads in tight places
- Standard Load Limiter automatic overload protection
- Plain and geared trolley mounts in capacities from 1/4 to 12 tons
- Universal tread trolley wheels for operation on sloped or flat flanged beams
- Standard hand chain drop 2 feet less than lift (example: 8 foot lift hoist has 6 foot hand chain drop)
- Chain containers, zinc-plated load and hand chain, aluminum unwelded hand chain, Latchlok hooks, bronze hooks, bullard hooks, larger beam trolleys, trolley guards, and units without Load Limiter optional, depending on capacity
- Lifetime warranty
- Metric rated
- Made in U.S.A.



* ⚠ WARNING

Overloading and improper use can result in injury.

To avoid injury:

- Do not exceed working load limit, load rating capacity
- Do not use to lift people or loads over people.
- use only alloy chain for overhead lifting.
- Read and follow all instructions.

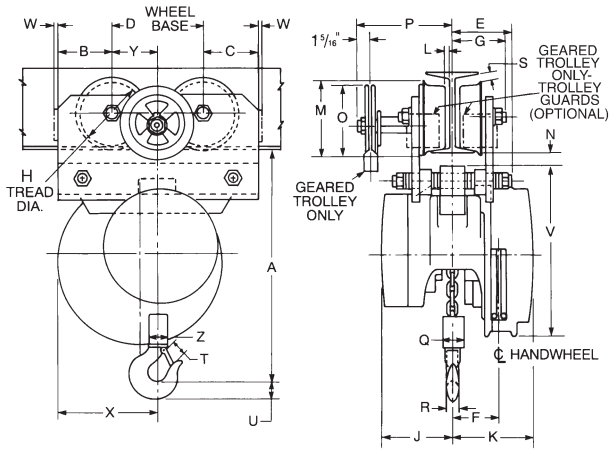
Specifications

| Rated capacity* (tons) | Product code | | Standard lift (ft.) | Reeving | American standard depth (in.)† | Beam adjustment ranges flange width (in.)† | Chain pull to lift capacity loads (lbs.) | Chain overhauled to lift load one foot (ft.) | Min. headroom (in.) | Min. radius curve (in.) | Shipping weight (lbs.) | |
|------------------------|---------------|----------------|---------------------|---------|--------------------------------|--|--|--|---------------------|-------------------------|------------------------|----------------|
| | Plain trolley | Geared trolley | | | | | | | | | Plain trolley | Geared trolley |
| 1/4 | 4521 | 4541 | 10 | 1 | 4-12** | 2 5/8-5 1/2 | 23 | 22 1/2 | 11 3/4 | 30 | 68 | 110 |
| 1/2 | 4522 | 4542 | 10 | 1 | 4-12** | 2 5/8-5 1/2 | 46 | 22 1/2 | 11 3/4 | 30 | 68 | 110 |
| 1 | 4524 | 4544 | 10 | 1 | 4-12** | 2 5/8-5 1/2 | 69 | 30 | 11 3/4 | 30 | 81 | 133 |
| 1 1/2 | 4525 | 4545 | 10 | 1 | 6-15 | 3 3/8-5 5/8 | 80 | 40 1/2 | 15 5/16 | 30 | 140 | 168 |
| 2 | 4526 | 4546 | 10 | 1 | 6-15 | 3 3/8-5 5/8 | 83 | 52 | 15 5/16 | 30 | 140 | 168 |
| 3 | 4527 | 4547 | 10 | 2 | 7-15 | 3 5/8-5 5/8 | 85 | 81 | 18 7/8 | 48 | 189 | 237 |
| 4 | 4528 | 4548 | 10 | 2 | 7-15 | 3 5/8-5 5/8 | 87 | 104 | 18 7/8 | 48 | 189 | 237 |
| 5 | 4529 | 4549 | 10 | 3 | 8-18 | 4-6 1/4 | 74 | 156 | 23 1/2 | 60 | 278 | 310 |
| 6 | 4530 | 4550 | 10 | 3 | 8-18 | 4-6 1/4 | 89 | 156 | 24 | 60 | 283 | 315 |
| 8 | 4531 | 4551 | 10 | 4 | 12-24 | 5-8 | 91 | 208 | 28 1/4 | 72 | 526 | 601 |
| 10 | 4532 | 4552 | 10 | 5 | 12-24 | 5-8 | 93 | 260 | 28 1/4 | 72 | 535 | 611 |
| 12 | 4533 | 4553 | 10 | 6 | 15-24 | 5 1/2-8 | 95 | 312 | 30 3/8 | 96 | 1068 | 1098 |

** For 1/4 through 1 ton geared trolleys - minimum beam size S6 x 12.5 (3 3/8 flange width)

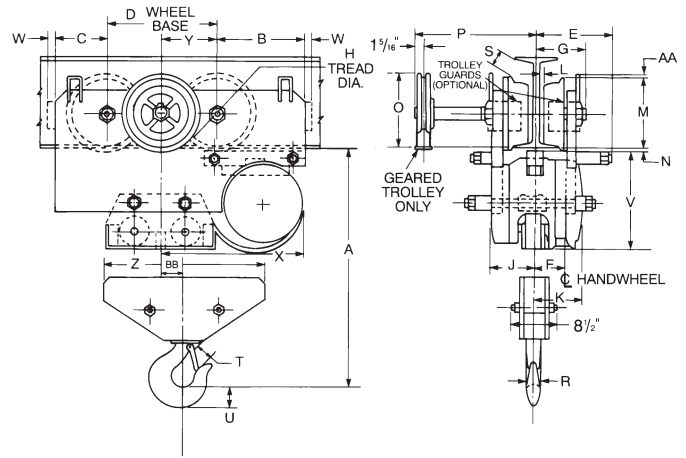
† Universal tread track wheels designed to operate on either sloped or flat flange beam, rails or tracks

Cyclone Army type trolley hoist-Specifications



1/4-6 TON

1/4 - 6 ton



8 - 12 ton

Clearance dimensions (in.)

| Dimension | Rated capacity* (tons) | | | | | | | | | | | | | | | |
|-----------|------------------------|----------|-----------|---------|---------|---------|---------|---------|---------|---------|----------|----------|---------|---------|----------|----------|
| | 1/4, 1/2 & 1 | | 1 1/2 & 2 | | 3 & 4 | | 5 | | 6 | | 8 | | 10 | | 12 | |
| | Plain | Geared | Plain | Geared | Plain | Geared | Plain | Geared | Plain | Geared | Plain | Geared | Plain | Geared | Plain | Geared |
| A | 11 3/4 | 11 13/16 | 15 5/16 | 15 5/16 | 18 7/8 | 18 7/8 | 23 1/2 | 23 1/2 | 24 | 24 | 28 1/4 | 28 1/4 | 28 1/4 | 28 1/4 | 30 3/8 | 30 3/8 |
| B | 4 3/16 | 4 3/8 | 3 1/16 | 3 1/16 | 5 3/4 | 5 3/4 | 6 1/2 | 6 1/2 | 6 1/2 | 6 1/2 | 8 15/16 | 8 15/16 | 8 15/16 | 8 15/16 | 10 7/8 | 10 7/8 |
| C | 2 9/16 | 2 9/16 | 3 1/16 | 3 1/16 | 3 7/16 | 3 7/16 | 3 3/4 | 3 3/4 | 3 3/4 | 3 3/4 | 5 1/4 | 5 1/4 | 5 1/4 | 5 1/4 | 7 3/16 | 7 3/16 |
| D | 6 | 6 | 6 | 6 | 6 7/8 | 6 7/8 | 7 3/4 | 7 3/4 | 7 3/4 | 7 3/4 | 11 | 11 | 11 | 11 | 11 | 11 |
| E | 4 1/2 | 4 15/16 | 5 | 5 | 5 7/16 | 5 7/16 | 6 1/8 | 6 1/8 | 6 1/8 | 6 1/8 | 7 1/4 | 7 1/4 | 7 1/4 | 7 1/4 | 7 1/4 | 7 1/4 |
| F | 2 1/16 | 2 1/16 | 3 1/8 | 3 1/8 | 3 | 3 | 2 13/16 | 2 13/16 | 2 13/16 | 2 13/16 | 3 | 3 | 3 | 3 | 3 | 3 |
| G | 3 | 3 3/4 | 3 5/8 | 3 3/4 | 4 5/16 | 4 5/16 | 4 15/16 | 4 15/16 | 4 15/16 | 4 15/16 | 5 9/16 | 5 9/16 | 5 9/16 | 5 9/16 | 5 13/16 | 5 13/16 |
| H | 3 1/8 | 4 | 4 3/4 | 4 | 5 | 5 | 6 | 6 | 6 | 6 | 8 | 8 | 8 | 8 | 8 | 8 |
| J | 3 1/4 | 3 1/4 | 4 13/16 | 4 13/16 | 4 13/16 | 4 13/16 | 5 | 5 | 5 | 5 | 4 13/16 | 4 13/16 | 4 13/16 | 4 13/16 | 4 13/16 | 4 13/16 |
| K | 4 1/8 | 4 1/8 | 5 1/16 | 5 1/16 | 5 1/16 | 5 1/16 | 4 7/8 | 4 7/8 | 4 7/8 | 4 7/8 | 5 1/16 | 5 1/16 | 5 1/16 | 5 1/16 | 5 1/16 | 5 1/16 |
| L | 5/16 | 5/16 | 1/2 | 5/16 | 1/4 | 1/4 | 3/8 | 3/8 | 3/8 | 3/8 | 1/2 | 1/2 | 1/2 | 1/2 | 1 1/16 | 1 1/16 |
| M | 4 | 4 3/4 | 5 9/16 | 4 3/4 | 5 7/8 | 5 7/8 | 7 | 7 | 7 | 7 | 9 7/16 | 9 7/16 | 9 7/16 | 9 7/16 | 9 1/2 | 9 1/2 |
| N | 1/2 | 9/16 | 9/16 | 9/16 | 1 1/16 | 1 1/16 | 1 1/16 | 1 1/16 | 1 1/16 | 1 1/16 | 1 1/2 | 1 1/2 | 1 1/2 | 1 1/2 | 7/16 | 7/16 |
| O | - | 5 9/16 | - | 5 9/16 | 6 1/8 | 6 1/8 | 6 3/4 | 6 3/4 | 6 3/4 | 6 3/4 | 7 9/16 | 7 9/16 | 7 9/16 | 7 9/16 | 7 3/16 | 7 3/16 |
| P | - | 10 | - | 10 | 8 15/16 | 8 15/16 | 10 7/16 | 10 7/16 | 10 7/16 | 10 7/16 | 11 7/16 | 11 7/16 | 11 7/16 | 11 7/16 | 11 11/16 | 11 11/16 |
| Q | 2 | 2 | 2 1/2 | 2 1/2 | 3 7/8 | 3 7/8 | 4 | 4 | 4 | 4 | 11 15/16 | 11 15/16 | - | - | - | - |
| R | 1 1/16 | 1 1/16 | 1 1/8 | 1 1/8 | 1 1/4 | 1 1/4 | 1 1/4 | 1 1/4 | 1 3/8 | 1 3/8 | 1 13/16 | 1 13/16 | 1 13/16 | 1 13/16 | 2 3/8 | 2 3/8 |
| S | 1/16 | 15/16 | 3/16 | 15/16 | 15/16 | 15/16 | 3/4 | 3/4 | 3/4 | 3/4 | 2 3/16 | 2 3/16 | 2 3/16 | 2 3/16 | 5 1/16 | 5 1/16 |
| T | 1 | 1 | 1 3/8 | 1 3/8 | 1 5/8 | 1 5/8 | 1 5/8 | 1 5/8 | 1 3/4 | 1 3/4 | 2 5/16 | 2 5/16 | 2 5/16 | 2 5/16 | 3 | 3 |
| U | 7/8 | 7/8 | 1 1/8 | 1 1/8 | 1 1/16 | 1 1/16 | 1 1/16 | 1 1/16 | 1 7/8 | 1 7/8 | 2 9/16 | 2 9/16 | 2 9/16 | 2 9/16 | 3 | 3 |
| V | 10 1/8 | 10 1/8 | 11 3/8 | 11 3/8 | 11 3/8 | 11 3/8 | 11 3/8 | 13/8 | 11 3/8 | 11 3/8 | 11 5/8 | 11 5/8 | 11 5/8 | 11 5/8 | 11 5/8 | 11 5/8 |
| W | 1/4 | 3/8 | 3/8 | 3/8 | 1/2 | 1/2 | 5/8 | 5/8 | 5/8 | 5/8 | 5/8 | 5/8 | 5/8 | 5/8 | 5/8 | 5/8 |
| X | 7 3/16 | 7 3/16 | 6 11/16 | 6 11/16 | 8 15/16 | 8 15/16 | 10 5/16 | 10 5/16 | 10 5/16 | 10 5/16 | 14 7/16 | 14 7/16 | 14 7/16 | 14 7/16 | 16 3/8 | 16 3/8 |
| Y | 3 | 3 | 3 | 3 | 3 7/16 | 3 7/16 | 3 7/8 | 3 7/8 | 3 7/8 | 3 7/8 | 5 1/2 | 5 1/2 | 5 1/2 | 5 1/2 | 5 1/2 | 5 1/2 |
| Z | 2 | 2 | 2 1/2 | 2 1/2 | 4 1/2 | 4 1/2 | 6 1/4 | 6 1/4 | 6 1/4 | 6 1/4 | 13 15/16 | 13 15/16 | 18 3/16 | 18 3/16 | 21 11/16 | 21 11/16 |
| AA | - | - | - | - | - | - | - | - | - | - | 3/8 | 3/8 | 3/8 | 3/8 | 3/8 | 3/8 |
| BB | - | - | - | - | - | - | - | - | - | - | 1 15/16 | 1 15/16 | 0 | 0 | 0 | 0 |

Note: Dimensions are based on minimum beam and may vary with larger beams.

Cyclone Fabric Chain Bags



Cyclone, Army type and low headroom trolley hoist optional fabric chain bags

| Product code | | Rated capacity* (tons) | Maximum length of lift (ft.) | Bag diameter (in.) | Bag length (in.) | Approx. weight (lbs.) |
|-----------------------|----------------------------|------------------------|------------------------------|--------------------|------------------|-----------------------|
| Cyclone and Army type | Low headroom trolley hoist | | | | | |
| 2482 | 2493 | 1/4-1/2 | 18 | 7 | 7 1/2 x 7 1/2 | 3 |
| 2483 | 2488 | 1/4-1/2 | 18.1-36 | 10 | 7 1/2 x 7 1/2 | 3 |
| 2484 | 2495 | 1/4-1/2 | 36.1-54 | 13 | 7 1/2 x 7 1/2 | 3 |
| 2485 | 2496 | 1/4-1/2 | 54.1-78 | 16 | 7 1/2 x 7 1/2 | 4 |
| 2486 | 2497 | 1/4-1/2 | 78.1-93 | 18 | 7 1/2 x 7 1/2 | 4 |
| 2487 | 2498 | 1/4-1/2 | 93.1-129 | 20 | 7 1/2 x 7 1/2 | 4 |
| 2482 | 2493 | 1 | 11 | 7 | 7 1/2 x 7 1/2 | 3 |
| 2483 | 2494 | 1 | 11.1-24 | 10 | 7 1/2 x 7 1/2 | 3 |
| 2484 | 2495 | 1 | 24.1-37 | 13 | 7 1/2 x 7 1/2 | 3 |
| 2485 | 2496 | 1 | 37.1-55 | 16 | 7 1/2 x 7 1/2 | 4 |
| 2486 | 2497 | 1 | 55.1-66 | 18 | 7 1/2 x 7 1/2 | 4 |
| 2487 | 2498 | 1 | 66.1-92 | 20 | 7 1/2 x 7 1/2 | 4 |
| 2488 | 2488 | 1 1/2-2 | 13 | 10 | 7 1/2 x 7 1/2 | 3 |
| 2489 | 2489 | 1 1/2-2 | 13.1-20 | 13 | 7 1/2 x 7 1/2 | 3 |
| 2490 | 2490 | 1 1/2-2 | 20.1-29 | 16 | 7 1/2 x 7 1/2 | 4 |
| 2491 | 2491 | 1 1/2-2 | 29.1-35 | 18 | 7 1/2 x 7 1/2 | 4 |
| 2492 | 2492 | 1 1/2-2 | 35.1-49 | 20 | 7 1/2 x 7 1/2 | 4 |
| 2489 | 2489 | 3-4 | 10 | 13 | 7 1/2 x 7 1/2 | 3 |
| 2490 | 2490 | 3-4 | 10.1-15 | 16 | 7 1/2 x 7 1/2 | 4 |
| 2491 | 2491 | 3-4 | 15.1-18 | 18 | 7 1/2 x 7 1/2 | 4 |
| 2492 | 2492 | 3-4 | 18.1-25 | 20 | 7 1/2 x 7 1/2 | 4 |
| 2490 | 2490 | 5-6 | 10 | 16 | 7 1/2 x 7 1/2 | 4 |
| 2491 | 2491 | 5-6 | 10.2-12 | 18 | 7 1/2 x 7 1/2 | 4 |
| 2492 | 2492 | 5-6 | 12.1-17 | 20 | 7 1/2 x 7 1/2 | 4 |
| 2491 | 2491 | 8 | 8 | 18 | 7 1/2 x 7 1/2 | 4 |
| 2492 | 2492 | 8 | 8.1-12 | 20 | 7 1/2 x 7 1/2 | 4 |
| 2492 | 2492 | 10 | 10 | 20 | 7 1/2 x 7 1/2 | 4 |



Cyclone Chain Containers

Cyclone, Army type and low headroom trolley hoist optional metal chain containers

| Product code | | Rated capacity* (tons) | Maximum length of lift (ft.) | Bucket length (in.) | Bucket diameter (in.) | Approximate weight (lbs.) |
|-----------------------|----------------------------|------------------------|------------------------------|---------------------|-----------------------|---------------------------|
| Cyclone and Army type | Low headroom trolley hoist | | | | | |
| 4603S-373S | 4614S-329S | 1/4-1/2 | 9 | 8 | 5 | 3 |
| 4603S-373S | 4614S-330S | 1/4-1/2 | 9.1-18 | 11 | 5 | 4 |
| 4603S-375S | 4614S-331S | 1/4-1/2 | 18.1-27 | 14 | 5 | 4 |
| 4603S-376S | 4614S-332S | 1/4-1/2 | 27.1-36 | 17 | 5 | 5 |
| 4603S-377S | 4614S-333S | 1/4-1/2 | 45 | 20 | 5 | 6 |
| 4603S-378S | 4614S-334S | 1/4-1/2 | 45.1-54 | 23 | 5 | 6 |
| 4603S-379S | 4614S-335S | 1/4-1/2 | 54.1-78 | 31 | 5 | 8 |
| 4603S-380S | 4614S-336S | 1/4-1/2 | 78.1-93 | 36 | 5 | 9 |
| 4603S-381S | 4614S-337S | 1/4-1/2 | 93.1-129 | 48 | 5 | 12 |
| 4063S-382S | 4614S-339S | 1 | 11 | 11 | 5 | 4 |
| 4603S-383S | 4614S-340S | 1 | 11.1-18 | 14 | 5 | 4 |
| 4603S-384S | 4614S-341S | 1 | 18.1-24 | 17 | 5 | 5 |
| 4603S-385S | 4614S-342S | 1 | 24.1-31 | 20 | 5 | 6 |
| 4603S-386S | 4614S-343S | 1 | 31.1-37 | 23 | 5 | 6 |
| 4603S-387S | 4614S-344S | 1 | 37.1-55 | 31 | 5 | 8 |
| 4603S-388S | 4614S-345S | 1 | 55.1-66 | 36 | 5 | 9 |
| 4603S-389S | 4614S-346S | 1 | 66.1-92 | 48 | 5 | 12 |
| 4603S-352S | 4614S-352S | 1 1/2-2 | 9 | 14 | 5 | 4 |
| 4603S-353S | 4614S-353S | 1 1/2-2 | 9.1-13 | 17 | 5 | 5 |
| 4603S-354S | 4614S-354S | 1 1/2-2 | 13.1-16 | 20 | 5 | 6 |
| 4603S-355S | 4614S-355S | 1 1/2-2 | 16.1-20 | 23 | 5 | 6 |
| 4603S-356S | 4614S-356S | 1 1/2-2 | 20.1-29 | 31 | 5 | 8 |
| 4603S-357S | 4614S-357S | 1 1/2-2 | 29.1-35 | 36 | 5 | 9 |
| 4603S-358S | 4614S-358S | 1 1/2-2 | 35.1-49 | 48 | 5 | 12 |
| 4603S-394S | — | 3-4 | 8 | 20 | 5 | 6 |
| 4603S-360S | 4614S-360S | 3-4 | 10 | 23 | 5 | 6 |
| 4603S-361S | 4614S-361S | 3-4 | 10.1-15 | 31 | 5 | 8 |
| 4603S-362S | 4614S-362S | 3-4 | 15.1-18 | 36 | 5 | 9 |
| 4603S-363S | 4614S-363S | 3-4 | 18.1-25 | 48 | 5 | 12 |
| 4603S-367S | 4614S-367S | 5-6 | 10 | 31 | 5 | 8 |
| 4603S-368S | 4614S-368S | 5-6 | 10.1-12 | 36 | 5 | 9 |
| 4603S-369S | 4614S-369S | 5-6 | 12.1-17 | 48 | 5 | 12 |
| 4603S-395S | — | 8 | 8 | 36 | 5 | 9 |
| 4603S-396S | — | 8 | 8.1-12 | 48 | 5 | 12 |
| 4603S-397S | — | 10 | 10 | 48 | 5 | 12 |