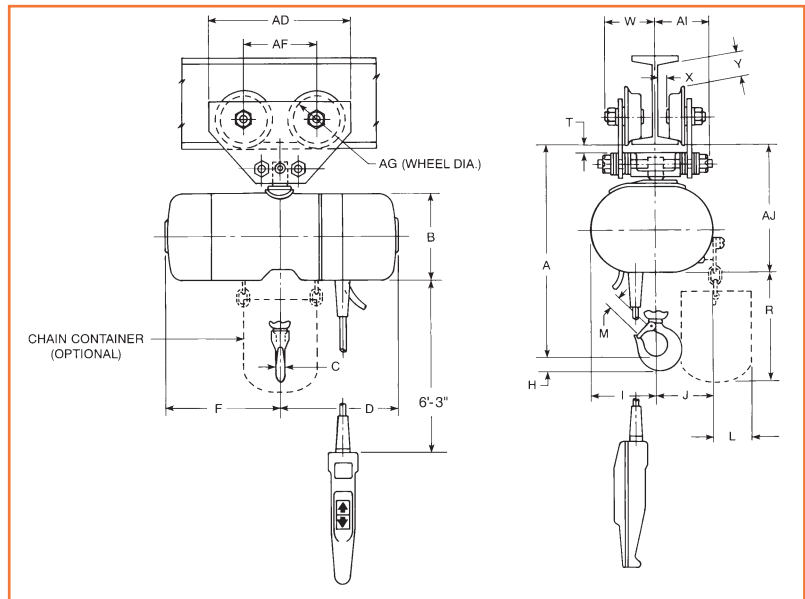


CM Lodestar with Series 635 low headroom trolley



Clearance dimensions (in.)

| Dimension | Lodestar models | | | | | |
|-----------|---------------------------------|---------------------------------|----------------------------------|----------------------------------|----------------------------------|----------------------------------|
| | A,B,C,F and AA | E and H | J, L, JJ and LL | R | RR | RT and RRT |
| A | 16 ⁵ / ₁₆ | 19 ¹ / ₄ | 18 ¹ / ₄ | 23 ³ / ₄ | 23 ³ / ₄ | 30 ¹ / ₈ |
| B | 6 ¹ / ₈ | 6 ¹ / ₈ | 7 ⁵ / ₈ | 7 ⁵ / ₈ | 7 ⁵ / ₈ | 7 ⁵ / ₈ |
| C | 1 ¹ / ₁₆ | 7 ⁷ / ₈ | 7 ⁷ / ₈ | 1 ¹ / ₈ | 1 ¹ / ₈ | 1 ¹ / ₈ |
| D | 11 | 11 | 9 ¹ / ₂ | 9 ¹ / ₂ | 9 ¹ / ₂ | 9 ¹ / ₂ |
| F | 7 ³ / ₄ | 7 ³ / ₄ | 10 ¹¹ / ₁₆ | 10 ¹¹ / ₁₆ | 10 ¹¹ / ₁₆ | 10 ¹¹ / ₁₆ |
| H | 1 | 1 ³ / ₁₆ | 1 ³ / ₁₆ | 1 ¹ / ₂ | 1 ¹ / ₂ | 1 ¹ / ₂ |
| I | 4 ¹³ / ₁₆ | 3 ⁷ / ₈ | 7 ¹ / ₄ | 6 ³ / ₁₆ | 6 ³ / ₁₆ | 6 ³ / ₁₆ |
| J | 3 ¹⁵ / ₁₆ | 4 ⁷ / ₈ | 5 ⁷ / ₁₆ | 6 ¹ / ₂ | 6 ¹ / ₂ | 6 ¹ / ₂ |
| L | 1 ¹¹ / ₁₆ | 1 ¹¹ / ₁₆ | 7 ⁷ / ₁₆ | 7 ⁷ / ₁₆ | 7 ⁷ / ₁₆ | 7 ⁷ / ₁₆ |
| M | 1 | 1 ¹ / ₈ | 1 ¹ / ₈ | 1 ⁵ / ₁₆ | 1 ⁵ / ₁₆ | 1 ⁵ / ₁₆ |
| R† | 9 ⁷ / ₈ | 12 ⁷ / ₈ | 12 ⁷ / ₈ | 18 ⁷ / ₈ | 18 ⁷ / ₈ | 24 ⁷ / ₈ |
| T | 1 ³ / ₁₆ | 1 ³ / ₁₆ | 1 ³ / ₁₆ | 7 ⁷ / ₈ | 7 ⁷ / ₈ | 5 ⁵ / ₁₆ |
| W | 3 | 3 | 3 | 3 ⁵ / ₈ | 3 ⁵ / ₈ | 4 ¹ / ₈ |
| X | 5 ⁵ / ₁₆ | 5 ⁵ / ₁₆ | 5 ⁵ / ₁₆ | 1 ¹ / ₂ | 1 ¹ / ₂ | 9 ⁹ / ₁₆ |
| Y | 1 ¹ / ₁₆ | 1 ¹ / ₁₆ | 1 ¹ / ₁₆ | 3 ³ / ₁₆ | 3 ³ / ₁₆ | 2 ⁵ / ₈ |
| AD | 9 ³ / ₄ | 9 ³ / ₄ | 9 ³ / ₄ | 13 | 13 | 12 ¹ / ₂ |
| AF | 5 | 5 | 5 | 6 | 6 | 6 |
| AG | 3 ¹ / ₈ | 3 ¹ / ₈ | 3 ¹ / ₈ | 4 ³ / ₄ | 4 ³ / ₄ | 4 |
| AI | 4 ⁵ / ₈ | 4 ⁵ / ₈ | 4 ⁵ / ₈ | 5 | 5 | 5 ¹ / ₂ |
| AJ | 9 ³ / ₁₆ | 9 ³ / ₁₆ | 10 ³ / ₈ | 10 ¹³ / ₁₆ | 10 ¹³ / ₁₆ | 13 ¹ / ₈ |

† Based on 10 ft. lift and increases proportionately with longer lifts

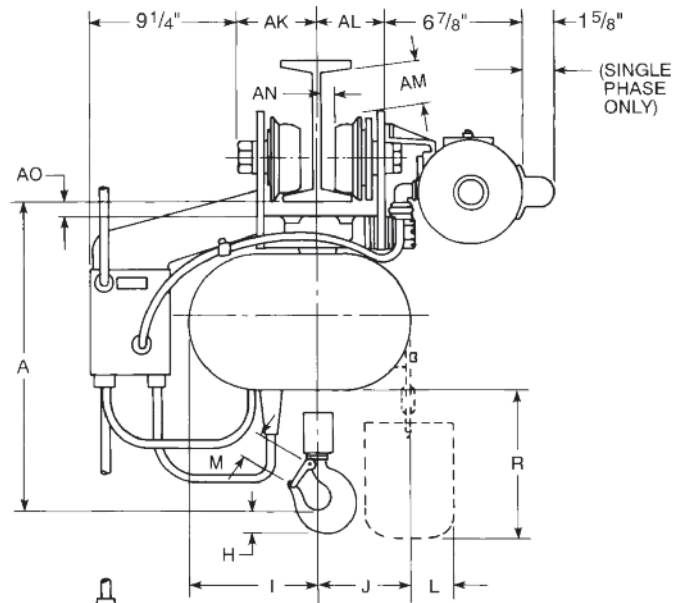
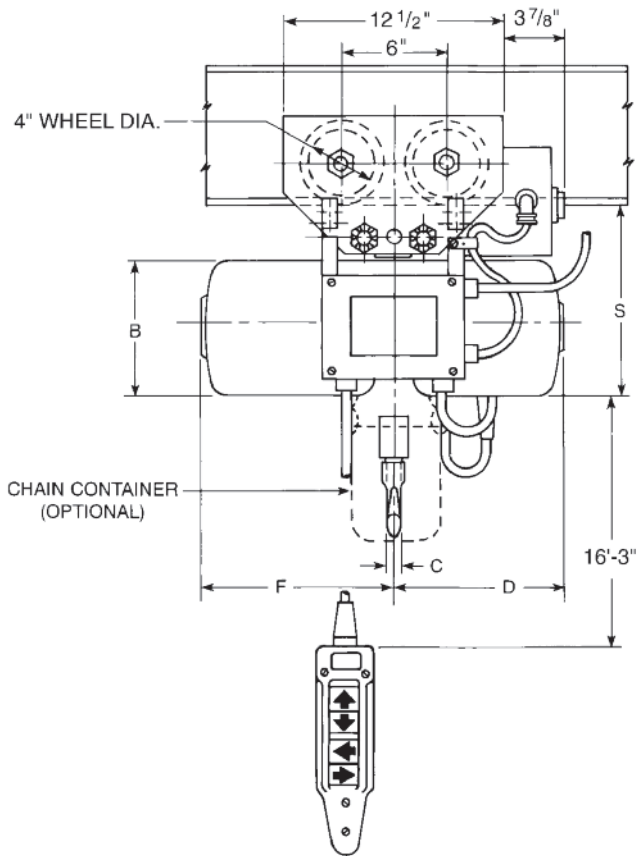
Dimensions T, W, X, Y, AI, and AJ are based on minimum beams and will vary proportionately for larger beams. 6'-3" drop of control station is for 10 foot lift hoist and increases proportionately for longer lifts.

Specifications For Series 635 Trolley

| Rated capacity* (tons) | Product code | Models | Std. range of adjust. Am. standard S-beams | | Tread diameter (in.) | Minimum radius curve (in.) | Approximate shipping weight (lbs.) |
|------------------------|--------------|----------|--|---|-------------------------------|----------------------------|------------------------------------|
| | | | Depth (in.) | Flange width (in.) | | | |
| 1/8 to 1 | 3575 | A – LL | 4 – 15 | 2 ⁵ / ₈ – 5 ⁵ / ₈ | 3 ¹ / ₈ | 24 | 22 |
| 2 | 3569 | R – RR | 6 – 18 | 3 ³ / ₈ – 6 | 4 ³ / ₄ | 24 | 52 |
| 3 | 9576 | RT – RRT | 8 – 15 | 4 – 5 ⁵ / ₈ | 4 ³ / ₄ | 30 | 58 |

Note: Rigid lug suspension required for attaching to hoist. Apply for other than standard beam adjustment. Beam end stop omitted for picture clarity

CM Lodestar with Series 635 motor driven trolley



***WARNING**

Overloading and improper use can result in injury.

To avoid injury:

- Do not exceed working load limit, load rating capacity
- Do not use to lift people or loads over people.
- use only alloy chain for overhead lifting.
- Read and follow all instructions.



Classic Lodestar with Series 635 motor driven trolley-Specifications

Clearance dimensions (in.)

| Dimension | Lodestar models † | | | | | |
|-----------|----------------------------------|---------------------------------|----------------------------------|----------------------------------|----------------------------------|----------------------------------|
| | A,B,C,F and AA | E and H | J, L, JJ and LL | R | RR | RT and RRT |
| A | 16 ¹³ / ₁₆ | 19 ³ / ₄ | 18 ¹ / ₂ | 23 ³ / ₄ | 23 ³ / ₄ | 30 ¹ / ₈ |
| B | 6 ¹ / ₈ | 6 ¹ / ₈ | 7 ⁵ / ₈ | 7 ⁵ / ₈ | 7 ⁵ / ₈ | 7 ⁵ / ₈ |
| C | 1 ¹ / ₁₆ | 7 ⁷ / ₈ | 7 ⁷ / ₈ | 1 ¹ / ₈ | 1 ¹ / ₈ | 1 ¹ / ₈ |
| D | 11 | 11 | 9 ¹ / ₂ | 9 ¹ / ₂ | 9 ¹ / ₂ | 9 ¹ / ₂ |
| F | 7 ³ / ₄ | 7 ³ / ₄ | 10 ¹¹ / ₁₆ | 10 ¹¹ / ₁₆ | 10 ¹¹ / ₁₆ | 10 ¹¹ / ₁₆ |
| H | 1 | 1 ³ / ₁₆ | 1 ³ / ₁₆ | 1 ¹ / ₂ | 1 ¹ / ₂ | 1 ¹ / ₂ |
| I | 4 ¹³ / ₁₆ | 3 ⁷ / ₈ | 7 ¹ / ₄ | 6 ³ / ₁₆ | 6 ³ / ₁₆ | 6 ³ / ₁₆ |
| J | 3 ¹⁵ / ₁₆ | 4 ⁷ / ₈ | 5 ⁷ / ₁₆ | 6 ¹ / ₂ | 6 ¹ / ₂ | 6 ¹ / ₂ |
| L | 1 ¹¹ / ₁₆ | 1 ¹¹ / ₁₆ | 7 ⁷ / ₁₆ | 7 ⁷ / ₁₆ | 7 ⁷ / ₁₆ | 7 ⁷ / ₁₆ |
| M | 1 | 1 ¹ / ₈ | 1 ¹ / ₈ | 1 ⁵ / ₁₆ | 1 ⁵ / ₁₆ | 1 ⁵ / ₁₆ |
| R** | 9 ⁷ / ₈ | 12 ⁷ / ₈ | 12 ⁷ / ₈ | 18 ⁷ / ₈ | 18 ⁷ / ₈ | 24 ⁷ / ₈ |
| S | 9 ¹¹ / ₁₆ | 9 ¹¹ / ₁₆ | 10 ⁵ / ₈ | 10 ¹³ / ₁₆ | 10 ¹³ / ₁₆ | 13 ¹ / ₈ |
| AK | 3 ³ / ₄ | 3 ³ / ₄ | 3 ³ / ₄ | 3 ³ / ₄ | 3 ³ / ₄ | 4 ¹ / ₄ |
| AL | 3 ¹ / ₄ | 3 ¹ / ₄ | 3 ¹ / ₄ | 3 ¹ / ₄ | 3 ¹ / ₄ | 3 ³ / ₄ |
| AM | 5 ⁵ / ₈ | 5 ⁵ / ₈ | 5 ⁵ / ₈ | 5 ⁵ / ₈ | 5 ⁵ / ₈ | 2 ⁵ / ₈ |
| AN | 5 ⁵ / ₁₆ | 5 ⁵ / ₁₆ | 5 ⁵ / ₁₆ | 5 ⁵ / ₁₆ | 5 ⁵ / ₁₆ | 9 ¹ / ₁₆ |
| AO | 7 ⁷ / ₈ | 7 ⁷ / ₈ | 7 ⁷ / ₈ | 7 ⁷ / ₈ | 7 ⁷ / ₈ | 1 |

** Based on 10 ft. lift and increases proportionately with longer lifts

Dimensions S, AK, AL, AM, and AO are based on minimum beams and will vary proportionately for larger beams. 16'-3" drop of control station is for 20 foot lift hoist.

† Note: Rigid lug suspension required for attaching to hoist.

Suspension specifications

| Type | Product code | Models |
|------------------------------------|--------------|------------|
| Rigid lug for motor driven trolley | 2992 | A-AA-B-C-F |
| Rigid lug for motor driven trolley | 2993 | E-H |
| Rigid lug for motor driven trolley | 3679 | J-L-JJ-LL |
| Rigid lug for motor driven trolley | 3668 | R-RR |
| Rigid lug for motor driven trolley | 9561 | RT-RRT |

Note: Beam end stop omitted for picture clarity

Specifications — motor driven trolley

| Rated capacity* (tons) | Product code | For use with model | Power supply | Standard travel speed (F.P.M.) | Motor H.P. | Std. range of adj. Am. std. S-beams | | Minimum radius curve (in.) | Approx. shipping weight (lbs.) |
|------------------------|--------------|--------------------|--------------|--------------------------------|------------|-------------------------------------|---|----------------------------|--------------------------------|
| | | | | | | Depth (in.) | Flange width (in.) | | |
| 1/8 - 2 | 3670 | A-RR | 115-1-60 | 75 | 1/4 | 6 - 15 | 3 ³ / ₈ - 5 ⁵ / ₈ | 30 | 118 |
| 1/8 - 2 | 3671 | A-RR | 230-3-60 | 75 | 1/4 | 6 - 15 | 3 ³ / ₈ - 5 ⁵ / ₈ | 30 | 118 |
| 1/8 - 2 | 3672 | A-RR | 460-3-60 | 75 | 1/4 | 6 - 15 | 3 ³ / ₈ - 5 ⁵ / ₈ | 30 | 118 |
| 3 | 9577 | RT-RRT | 115-1-60 | 75 | 1/4 | 8 - 15 | 4 - 5 ⁵ / ₈ | 30 | 120 |
| 3 | 9578 | RT-RRT | 230-3-60 | 75 | 1/4 | 8 - 15 | 4 - 5 ⁵ / ₈ | 30 | 120 |
| 3 | 9579 | RT-RRT | 460-3-60 | 75 | 1/4 | 8 - 15 | 4 - 5 ⁵ / ₈ | 30 | 120 |
| 1/8 - 2 | 9315 | A-RR | 115-1-60 | 30 | 1/4 | 6 - 15 | 3 ³ / ₈ - 5 ⁵ / ₈ | 30 | 113 |
| 1/8 - 2 | 9316 | A-RR | 230-3-60 | 30 | 1/4 | 6 - 15 | 3 ³ / ₈ - 5 ⁵ / ₈ | 30 | 113 |
| 1/8 - 2 | 9317 | A-RR | 460-3-60 | 30 | 1/4 | 6 - 15 | 3 ³ / ₈ - 5 ⁵ / ₈ | 30 | 113 |
| 3 | 9318 | RT-RRT | 115-1-60 | 30 | 1/4 | 8 - 15 | 4 - 5 ⁵ / ₈ | 30 | 120 |
| 3 | 9319 | RT-RRT | 230-3-60 | 30 | 1/4 | 8 - 15 | 4 - 5 ⁵ / ₈ | 30 | 120 |
| 3 | 9320 | RT-RRT | 460-3-60 | 30 | 1/4 | 8 - 15 | 4 - 5 ⁵ / ₈ | 30 | 120 |

Can be modified to fit larger beams.
Flat tread wheel available.

Beam size and voltage required for ordering.

Apply for other than standard travel speeds.