

Cyclone hand chain hoist

One of the most popular and reliable hoists ever designed.

- Most interchangeability of parts in the industry
- Standard Load Limiter for simple, automatic overload protection
- Enclosed contoured Weston-type automatic brake for positive load control
- High-efficiency spur gearing for greater lift with minimum effort
- Rugged Hoistaloy chain for added strength and durability
- Fully machined, forged liftwheel pockets for easier lifting and smooth free chaining
- High-strength aluminum alloy castings in frame and covers
- Inspected over 75 times to meet or exceed HMI and ASME/ANSI performance and safety standards
- Standard hand chain drop is 2 feet less than lift, (example: 8 foot lift hoist has 6 foot hand chain drop)
- Lifetime warranty
- Metric rated
- Made in U.S.A.

Options Include:

- Fabric chain bags
- Metal chain containers
- Zinc-plated load and hand chain
- Unwelded hand chain
- Latchlok hooks
- Bronze hooks
- Bullard hooks
- Eye-type suspension



***WARNING**

Overloading and improper use can result in injury.

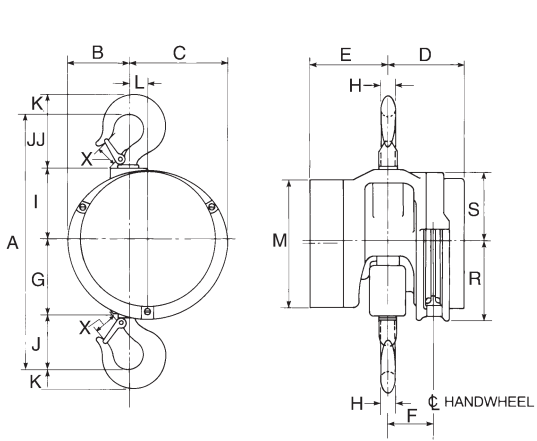
To avoid injury:

- Do not exceed working load limit, load rating capacity
- Do not use to lift people or loads over people.
- Use only alloy chain for overhead lifting.
- Read and follow all instructions.

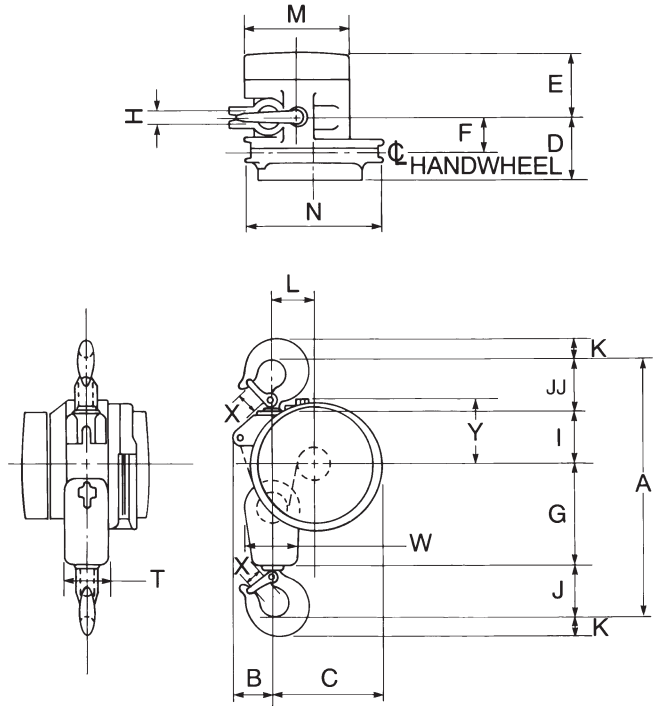
The Cyclone combines superior engineering, efficiency and durability. Available in a variety of capacities from 1/4 ton to 10 tons.



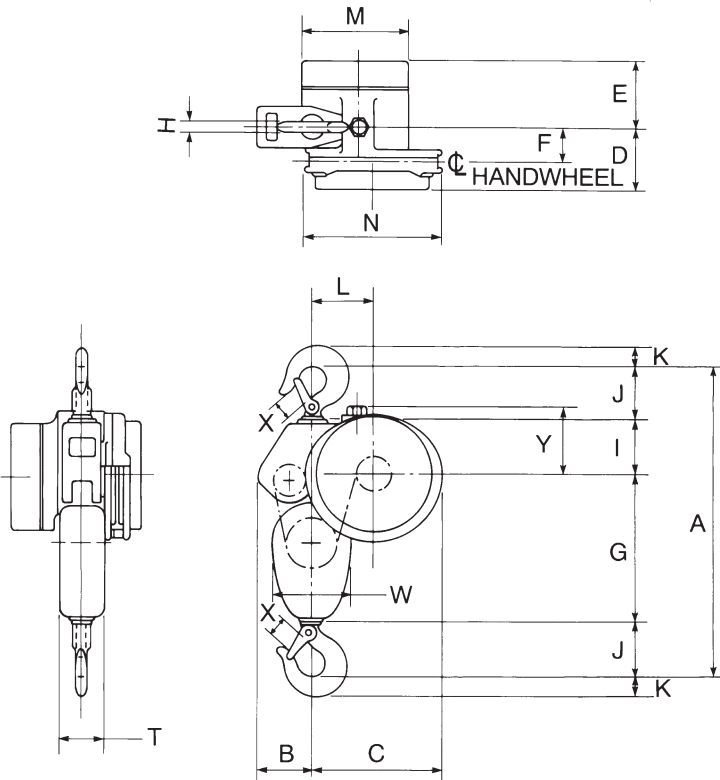
Cyclone hand chain hoist



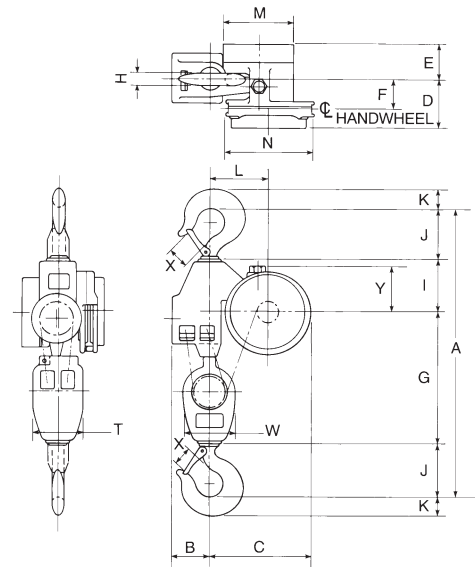
1/4 - 2 ton



3 - 4 ton



5 - 6 ton



8 - 10 ton

Cyclone hand chain hoist-Specifications

Specifications

Rated capacity* (tons)	Product code	Standard lift† (ft.)	Reeving	Minimum distance between hooks (in.)	Chain overhauled to lift load one foot (ft.)	Chain pull to lift full load (lbs.)	Shipping weight (lbs.)
1/4	4621	10	1	12 ⁷ / ₈	22 ¹ / ₂	23	40
1/2	4622	10	1	12 ⁷ / ₈	22 ¹ / ₂	46	40
1	4624	10	1	14	30	69	43
1 1/2	4625	10	1	17 ⁵ / ₁₆	40 ¹ / ₂	80	69
2	4626	10	1	17 ⁵ / ₁₆	52	83	68
3	4627	10	2	21 ¹ / ₂	81	85	103
4	4628	10	2	21 ¹ / ₂	104	88	103
5	4629	10	3	24 ¹ / ₄	156	75	138
6	4630	10	3	25 ¹ / ₄	156	90	142
8	4631	10	4	34 ¹ / ₂	208	89	247
10	4632	10	5	35 ¹ / ₂	260	95	250

† Can be supplied with longer lifts

Clearance dimensions (in.)

Dimension	Rated capacity*(tons)								
	1/4	1/2	1	1 1/2 & 2	3 & 4	5	6	8	10
A	12 ⁷ / ₈	12 ⁷ / ₈	14	17 ⁵ / ₁₆	21 ¹ / ₂	24 ¹ / ₄	25 ¹ / ₄	34 ¹ / ₂	35 ¹ / ₂
B	3 ¹¹ / ₁₆	3 ¹¹ / ₁₆	3 ¹ / ₄	4 ³ / ₁₆	3 ⁵ / ₁₆	4 ³ / ₁₆	4 ³ / ₁₆	4 ³ / ₄	4 ³ / ₄
C	7 ³ / ₁₆	7 ³ / ₁₆	7 ³ / ₁₆	6 ¹¹ / ₁₆	8 ¹⁵ / ₁₆	10 ⁵ / ₁₆	10 ⁵ / ₁₆	12 ³ / ₄	12 ³ / ₄
D	4 ¹ / ₈	4 ¹ / ₈	4 ¹ / ₈	5 ¹ / ₁₆	5 ¹ / ₁₆	4 ⁷ / ₈	4 ⁷ / ₈	5 ¹³ / ₁₆	5 ¹³ / ₁₆
E	3 ¹ / ₄	3 ¹ / ₄	3 ¹ / ₄	4 ¹³ / ₁₆	4 ¹³ / ₁₆	5	5	4 ¹ / ₁₆	4 ¹ / ₁₆
F	2 ¹ / ₁₆	2 ¹ / ₁₆	2 ¹ / ₁₆	3 ¹ / ₈	3	2 ¹⁵ / ₁₆	2 ¹⁵ / ₁₆	3 ³ / ₄	3 ³ / ₄
G	3 ⁷ / ₈	3 ⁷ / ₈	3 ³ / ₄	5 ³ / ₁₆	8 ¹ / ₄	11 ¹³ / ₁₆	11 ¹³ / ₁₆	17 ³ / ₁₆	17 ³ / ₁₆
H	1 ¹ / ₁₆	1 ¹ / ₁₆	1 ³ / ₁₆	1 ¹ / ₈	1 ¹ / ₄	1 ¹ / ₄	1 ³ / ₈	1 ¹¹ / ₁₆	1 ¹³ / ₁₆
I	3 ³ / ₄	3 ³ / ₄	3 ³ / ₄	4 ¹³ / ₁₆	4 ¹ / ₄	4 ³ / ₁₆	4 ³ / ₁₆	6 ¹ / ₁₆	6 ¹ / ₁₆
J	2 ⁵ / ₈	2 ⁵ / ₈	2 ¹⁵ / ₁₆	3 ⁵ / ₈	4 ¹ / ₈	4 ¹ / ₈	4 ⁵ / ₈	5 ⁵ / ₈	6 ¹ / ₈
JJ	2 ⁵ / ₈	2 ⁵ / ₈	3 ⁹ / ₁₆	3 ¹¹ / ₁₆	4 ⁷ / ₈	—	—	—	—
K	1 ⁵ / ₁₆	1 ⁵ / ₁₆	1 ¹ / ₈	1 ¹ / ₂	1 ¹¹ / ₁₆	1 ¹¹ / ₁₆	1 ⁷ / ₈	2 ¹ / ₄	2 ⁹ / ₁₆
L	1 ³ / ₄	1 ³ / ₄	1 ³ / ₄	1 ¹ / ₄	3 ¹ / ₂	4 ⁷ / ₈	4 ⁷ / ₈	7 ⁵ / ₁₆	7 ⁵ / ₁₆
M	7 ¹ / ₁₆	7 ¹ / ₁₆	7 ¹ / ₁₆	8 ⁵ / ₈	8 ⁵ / ₈	8 ⁵ / ₈	8 ⁵ / ₈	8 ⁵ / ₈	8 ⁵ / ₈
N	—	—	—	—	10 ⁷ / ₈	10 ⁷ / ₈	10 ⁷ / ₈	10 ⁷ / ₈	10 ⁷ / ₈
R	5 ⁷ / ₁₆	5 ⁷ / ₁₆	5 ⁷ / ₁₆	5 ⁷ / ₁₆	—	—	—	—	—
S	4 ¹¹ / ₁₆	4 ¹¹ / ₁₆	4 ¹¹ / ₁₆	4 ¹¹ / ₁₆	—	—	—	—	—
T	—	—	—	—	3 ⁷ / ₈	4	4	6 ³ / ₈	6 ³ / ₈
W	—	—	—	—	4 ¹ / ₂	6 ¹ / ₄	6 ¹ / ₄	6 ⁷ / ₁₆	6 ⁷ / ₁₆
X	1 ¹ / ₃₂	1 ¹ / ₃₂	1 ¹ / ₈	1 ⁵ / ₁₆	1 ⁵ / ₈	1 ⁵ / ₈	1 ³ / ₄	2 ¹ / ₁₆	2 ⁵ / ₁₆
Y	—	—	—	—	5 ¹ / ₈	5 ⁷ / ₈	5 ⁷ / ₈	5 ⁹ / ₁₆	5 ⁹ / ₁₆

***⚠ WARNING**

Overloading and improper use can result in injury.

To avoid injury:

- Do not exceed working load limit, load rating capacity
- Do not use to lift people or loads over people.
- use only alloy chain for overhead lifting.
- Read and follow all instructions.

Cyclone Fabric Chain Bags



Cyclone, Army type and low headroom trolley hoist optional fabric chain bags

Product code		Rated capacity* (tons)	Maximum length of lift (ft.)	Bag diameter (in.)	Bag length (in.)	Approx. weight (lbs.)
Cyclone and Army type	Low headroom trolley hoist					
2482	2493	1/4-1/2	18	7	7 1/2 x 7 1/2	3
2483	2488	1/4-1/2	18.1-36	10	7 1/2 x 7 1/2	3
2484	2495	1/4-1/2	36.1-54	13	7 1/2 x 7 1/2	3
2485	2496	1/4-1/2	54.1-78	16	7 1/2 x 7 1/2	4
2486	2497	1/4-1/2	78.1-93	18	7 1/2 x 7 1/2	4
2487	2498	1/4-1/2	93.1-129	20	7 1/2 x 7 1/2	4
2482	2493	1	11	7	7 1/2 x 7 1/2	3
2483	2494	1	11.1-24	10	7 1/2 x 7 1/2	3
2484	2495	1	24.1-37	13	7 1/2 x 7 1/2	3
2485	2496	1	37.1-55	16	7 1/2 x 7 1/2	4
2486	2497	1	55.1-66	18	7 1/2 x 7 1/2	4
2487	2498	1	66.1-92	20	7 1/2 x 7 1/2	4
2488	2488	1 1/2-2	13	10	7 1/2 x 7 1/2	3
2489	2489	1 1/2-2	13.1-20	13	7 1/2 x 7 1/2	3
2490	2490	1 1/2-2	20.1-29	16	7 1/2 x 7 1/2	4
2491	2491	1 1/2-2	29.1-35	18	7 1/2 x 7 1/2	4
2492	2492	1 1/2-2	35.1-49	20	7 1/2 x 7 1/2	4
2489	2489	3-4	10	13	7 1/2 x 7 1/2	3
2490	2490	3-4	10.1-15	16	7 1/2 x 7 1/2	4
2491	2491	3-4	15.1-18	18	7 1/2 x 7 1/2	4
2492	2492	3-4	18.1-25	20	7 1/2 x 7 1/2	4
2490	2490	5-6	10	16	7 1/2 x 7 1/2	4
2491	2491	5-6	10.2-12	18	7 1/2 x 7 1/2	4
2492	2492	5-6	12.1-17	20	7 1/2 x 7 1/2	4
2491	2491	8	8	18	7 1/2 x 7 1/2	4
2492	2492	8	8.1-12	20	7 1/2 x 7 1/2	4
2492	2492	10	10	20	7 1/2 x 7 1/2	4



Cyclone Chain Containers

Cyclone, Army type and low headroom trolley hoist optional metal chain containers

Product code		Rated capacity* (tons)	Maximum length of lift (ft.)	Bucket length (in.)	Bucket diameter (in.)	Approximate weight (lbs.)
Cyclone and Army type	Low headroom trolley hoist					
4603S-373S	4614S-329S	1/4-1/2	9	8	5	3
4603S-373S	4614S-330S	1/4-1/2	9.1-18	11	5	4
4603S-375S	4614S-331S	1/4-1/2	18.1-27	14	5	4
4603S-376S	4614S-332S	1/4-1/2	27.1-36	17	5	5
4603S-377S	4614S-333S	1/4-1/2	45	20	5	6
4603S-378S	4614S-334S	1/4-1/2	45.1-54	23	5	6
4603S-379S	4614S-335S	1/4-1/2	54.1-78	31	5	8
4603S-380S	4614S-336S	1/4-1/2	78.1-93	36	5	9
4603S-381S	4614S-337S	1/4-1/2	93.1-129	48	5	12
4063S-382S	4614S-339S	1	11	11	5	4
4603S-383S	4614S-340S	1	11.1-18	14	5	4
4603S-384S	4614S-341S	1	18.1-24	17	5	5
4603S-385S	4614S-342S	1	24.1-31	20	5	6
4603S-386S	4614S-343S	1	31.1-37	23	5	6
4603S-387S	4614S-344S	1	37.1-55	31	5	8
4603S-388S	4614S-345S	1	55.1-66	36	5	9
4603S-389S	4614S-346S	1	66.1-92	48	5	12
4603S-352S	4614S-352S	1 1/2-2	9	14	5	4
4603S-353S	4614S-353S	1 1/2-2	9.1-13	17	5	5
4603S-354S	4614S-354S	1 1/2-2	13.1-16	20	5	6
4603S-355S	4614S-355S	1 1/2-2	16.1-20	23	5	6
4603S-356S	4614S-356S	1 1/2-2	20.1-29	31	5	8
4603S-357S	4614S-357S	1 1/2-2	29.1-35	36	5	9
4603S-358S	4614S-358S	1 1/2-2	35.1-49	48	5	12
4603S-394S	—	3-4	8	20	5	6
4603S-360S	4614S-360S	3-4	10	23	5	6
4603S-361S	4614S-361S	3-4	10.1-15	31	5	8
4603S-362S	4614S-362S	3-4	15.1-18	36	5	9
4603S-363S	4614S-363S	3-4	18.1-25	48	5	12
4603S-367S	4614S-367S	5-6	10	31	5	8
4603S-368S	4614S-368S	5-6	10.1-12	36	5	9
4603S-369S	4614S-369S	5-6	12.1-17	48	5	12
4603S-395S	—	8	8	36	5	9
4603S-396S	—	8	8.1-12	48	5	12
4603S-397S	—	10	10	48	5	12